

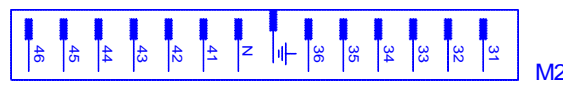
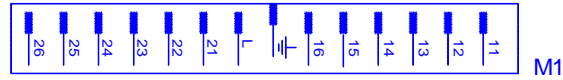
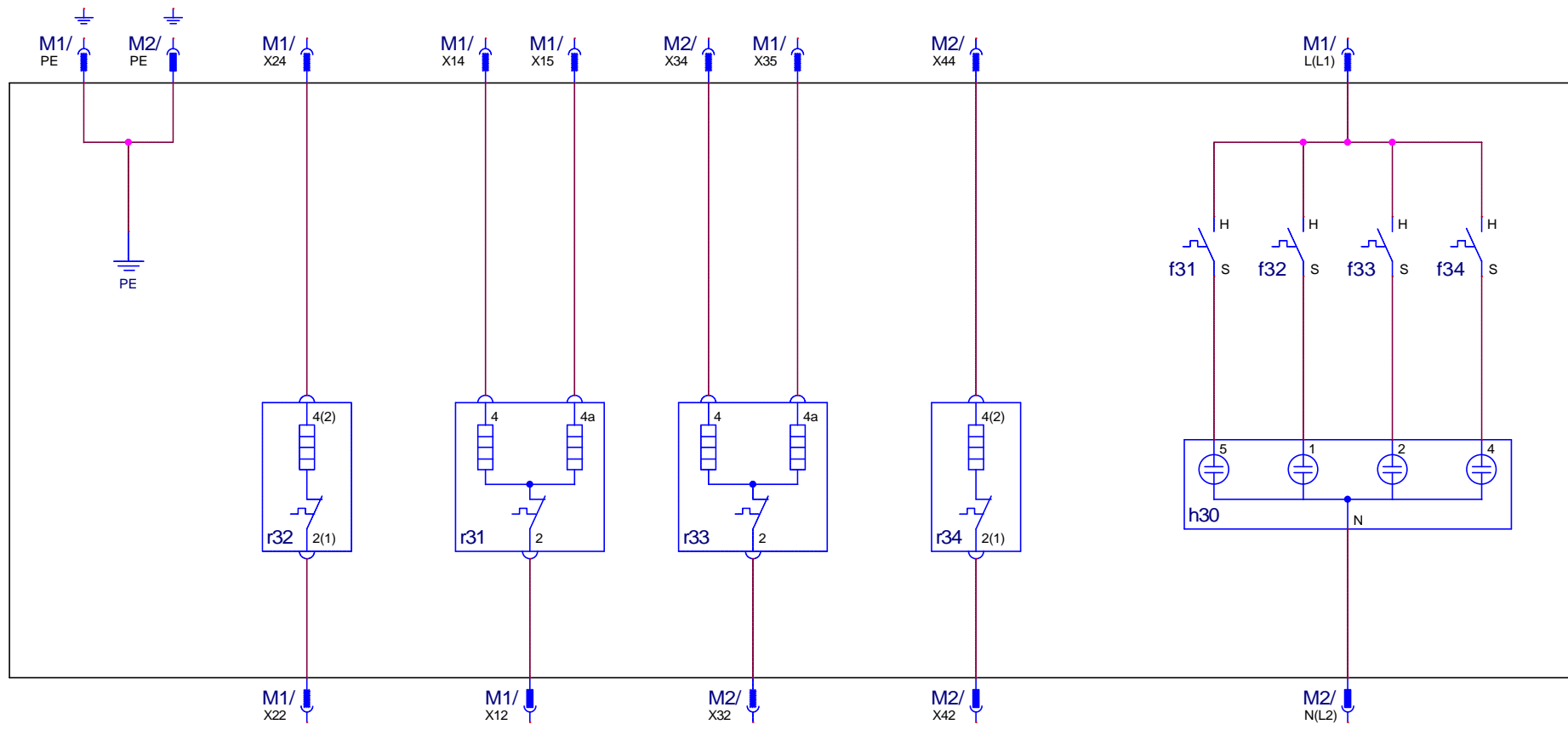
THE ITEMS SHOWN IN THIS DRAWING MUST NOT CONTAIN FORMALDEHYDE, CADMIUM, MERCURY, ASBESTOS OR PBB/PBDD.

THIS DRAWING CONTAINS CONFIDENTIAL INFORMATION. IT'S PROPERTY OF ELECTROLUX. WITHOUT WHOSE PERMISSION IT MAY NOT BE COPIED, SHOWN OR HANDED TO A THIRD PARTY OR OTHERWISE USED, AND IT IS TO BE RETURNED PROMPTLY UPON REQUEST TO ELECTROLUX WHICH IS RESPONSIBLE FOR THE DRAWING.

[2] CRITICAL DIMENSIONS WHICH MUST BE UNDER CAPABILITY SAFETY RISKS MUST BE UNDER CAPABILITY VISIBLE SURFACES DRAFT ANGLES (NOT SHOWN): 0.0°/0.000°

THEORETICAL FLAT AREA DEVELOPED FLAT AREA

GENERAL TOLERANCES ANGLES LENGTHS AND DIMETERS



DESIGN		OWNER	DRN	CHD	DATE	DESIGN	USERS	MODIFICATIONS		SIGNATURE	REQUEST	DATE
DGT		DGR-PE_PD	Renner	Georgi	03-05-28	-	-	230/400V		Georgi	DGT 17178	03-05-28
<p><b>Electrolux</b></p> <p>TITLE: circuit diagram hob          TITEL: Schaltplan Mulde          NUMBER: 330 6020          SHEET: 01 (01)          REV: A</p>												