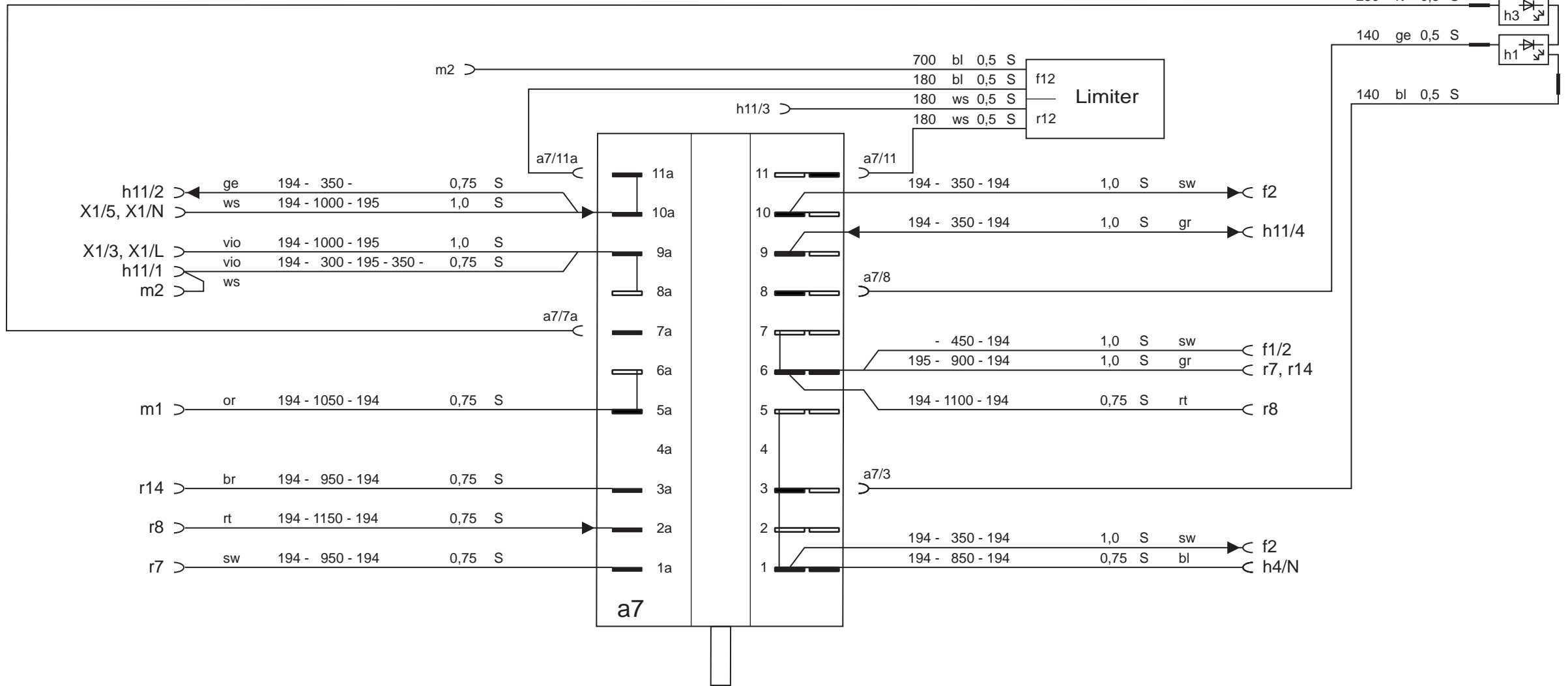


This drawing contains confidential information and is the property of AEG Hausgeräte GmbH without whose permission it may not be copied, shown or handed to a third party or otherwise used, and it is to be returned promptly upon request to the AEG Hausgeräte GmbH which is responsible for the drawing.

[2] Critical dimensions which must be under capability

SAFETY REQUIREMENT

Visible surfaces. Draft angles (not shown):



Bezeichnung	designation	Elux Sachnummer / Elux part no.
a7 Bratofenschalter	heating mode selector	330 1877 00
* ► Isolierhülse	insulation housing	
Liste Anschlagteile	list of crimp contacts	330 1766 00
Betriebsmittelliste	list of components	330 2222 00
Liste Einzellitzen	list of single wires	330 5346 00

Einzellitzen / single wires

Pos.	Kontaktfolge contact	Auflösung structure explanation	Farbe colour	min. Querschn. min. cross-section	Nr. no.
01	h4/PE - PE/1b - (r7,r14)/PE	194 - 260 - 195 - 180 - 194	gng - gng	1,0 - 1,0	o39
02	X1/PE - PE/1b (comp. plate)	195 - 200 - 195	gng	1,5	o09
03	h11/3 - f1/1 - h4/L - m1	184 - 300 - 195 - 850 - 195 - 400 - 194	or - or - or	1,0 - 0,75 - 0,75	o10
04					
05					
06					
07					
08					
09					
10					

Funktionswichtige Daten und Merkmale sind durch gekennzeichnet und sind 100%ig einzuhalten. Stoffverbot N56 0865T1 - 5A

330 5955 00	230V~		Wiring built-in oven, circulated 8.1, set timer, symbols illuminated
VARIANT NUMBER	MODEL	DESIGN USERS	CHANGES FROM THE BASE NUMBER

B length of single wire (pos.01) was adapted		Georgi	DGT18473	03-08-04
A new drawing created		Georgi	DGT17483	03-06-05
ZUST	MODIFICATIONS	SIGNATURE	REQUEST	DATE
MATERIAL Leitungsmaterial in Silicon Temp. best. min 180 °C Insulation of the cord is silicon, temperature-resistance: min 180 °C		MODEL	SCALE	EUROPEAN METHOD
TREATMENT		DESIGN USERS	REPLACES No XXXX	
XXX		WEIGHT	DERIVED FROM No XXXX	
DESIGN OWNER	DRN	CHD Renner	DATE	
DGT	DGR-PE_PD	APPR Georgi	03-06-05	
TITLE wiring built-in oven cpl.				
Verdrahtung Einbau-Bratofen komplett				
NUMBER	SHEET	REV		
330 5955	01(01)	B		



THEORETICAL FLAT AREA
DEVELOPED FLAT AREA
GENERAL TOLERANCES
ANGLES
LENGTHS AND DIAMETERS