

THE ITEM(S) SHOWN IN THIS DRAWING MUST NOT CONTAIN FORMALDEHYDE, CADMIUM, MERCURY, ASBESTOS OR PBB/PBDO.

THIS DRAWING CONTAINS CONFIDENTIAL INFORMATION. ITS PROPERTY OF ELECTROLUX WITHOUT WHOSE PERMISSION IT MAY NOT BE COPIED, SHOWN OR HANDED TO A THIRD PARTY OR OTHERWISE USED, AND IT IS TO BE RETURNED PROMPTLY UPON REQUEST TO ELECTROLUX WHICH IS RESPONSIBLE FOR THE DRAWING.

CRITICAL DIMENSIONS WHICH MUST BE UNDER CAPABILITY

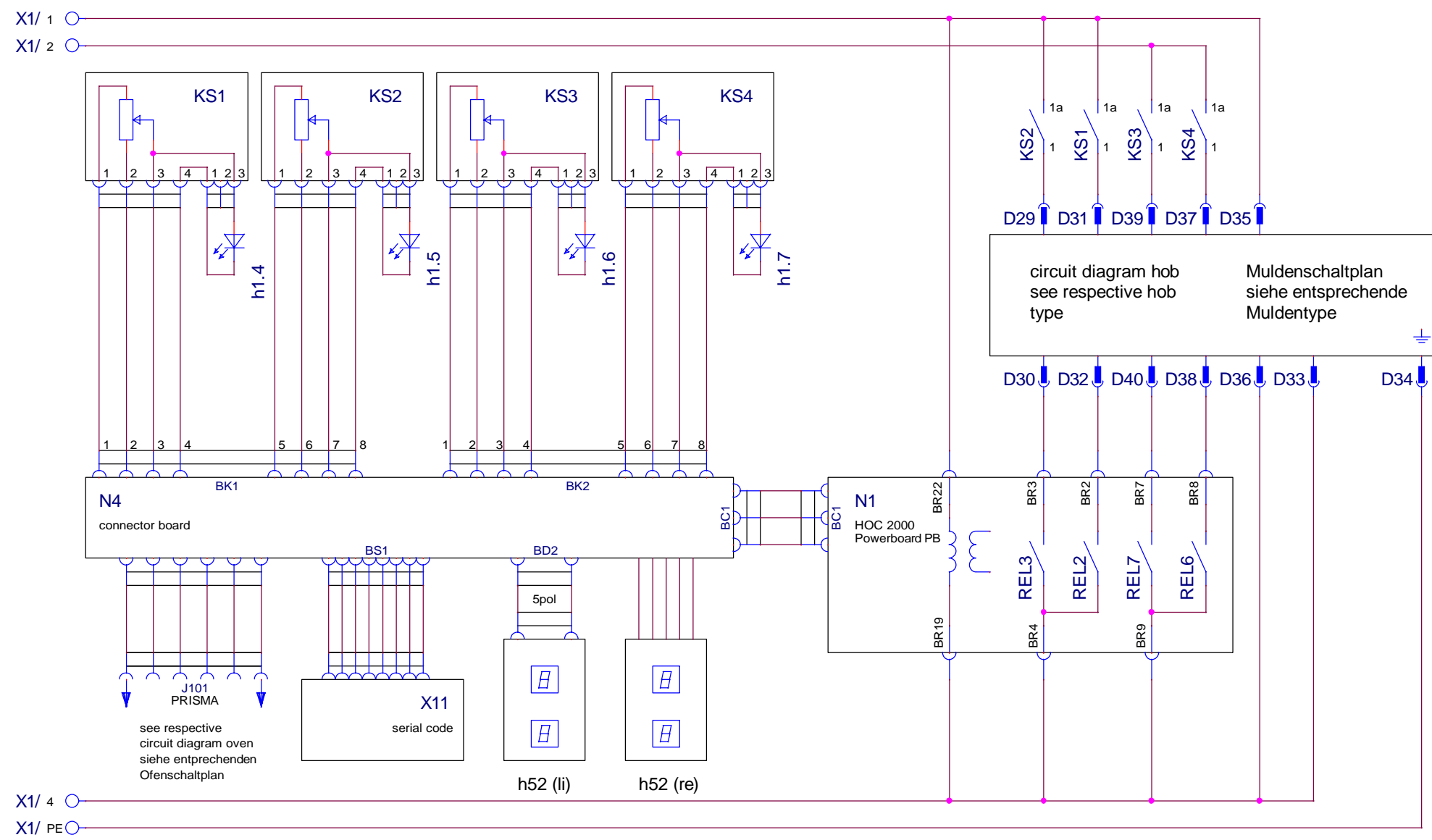
**SAFETY RISKS**

[2] : VISIBLE SURFACES  
DRAFT ANGLES (NOT SHOWN): 00°00'00"

THEORETICAL FLAT AREA  
DEVELOPED FLAT AREA

GENERAL TOLERANCES  
ANGLES : ±°  
LENGTHS AND DIAMETERS :  
4-18 mm : ±°  
18-30 mm : ±°  
30-50 mm : ±°  
50-125 mm : ±°

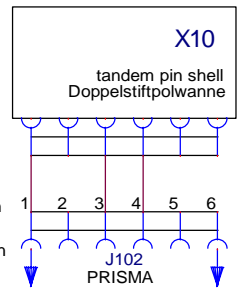
A4



circuit diagram hob  
see respective hob  
type

Muldenschaltplan  
siehe entsprechende  
Muldentype

see respective  
circuit diagram oven  
siehe entsprechenden  
Ofenschaltplan



see respective  
circuit diagram oven  
siehe entsprechenden  
Ofenschaltplan

DESIGN		OWNER		DRN		CHD		DATE		DESIGN		USERS		EUROPEAN METHOD			
DGT		DGR-PE_PD		Renner		Georgi		03-06-05		-		-					
ZUST												SIGNATURE		REQUEST		DATE	
MODIFICATIONS												Georgi		DGT 18636		03-08-14	
new drawing created												Georgi		DGT 17483		03-06-05	
B correction of drawing after pilot series												Georgi		DGT 18636		03-08-14	
A new drawing created												Georgi		DGT 17483		03-06-05	
TITEL												circuit diagram hob control					
TITEL												Schaltplan Muldenansteuerung					
NUMBER												330 5950		SHEET		REV	
														01(01)		B	

