

THE ITEM(S) SHOWN IN THIS DRAWING MUST NOT CONTAIN FORMALDEHYDE, CADMIUM, MERCURY, ASBESTOS OR PBB/PBDO.

THIS DRAWING CONTAINS CONFIDENTIAL INFORMATION. ITS PROPERTY OF ELECTROLUX WITHOUT WHOSE PERMISSION IT MAY NOT BE COPIED, SHOWN OR HANDED TO A THIRD PARTY OR OTHERWISE USED, AND IT IS TO BE RETURNED PROMPTLY UPON REQUEST TO ELECTROLUX WHICH IS RESPONSIBLE FOR THE DRAWING.

CRITICAL DIMENSIONS WHICH MUST BE UNDER CAPABILITY

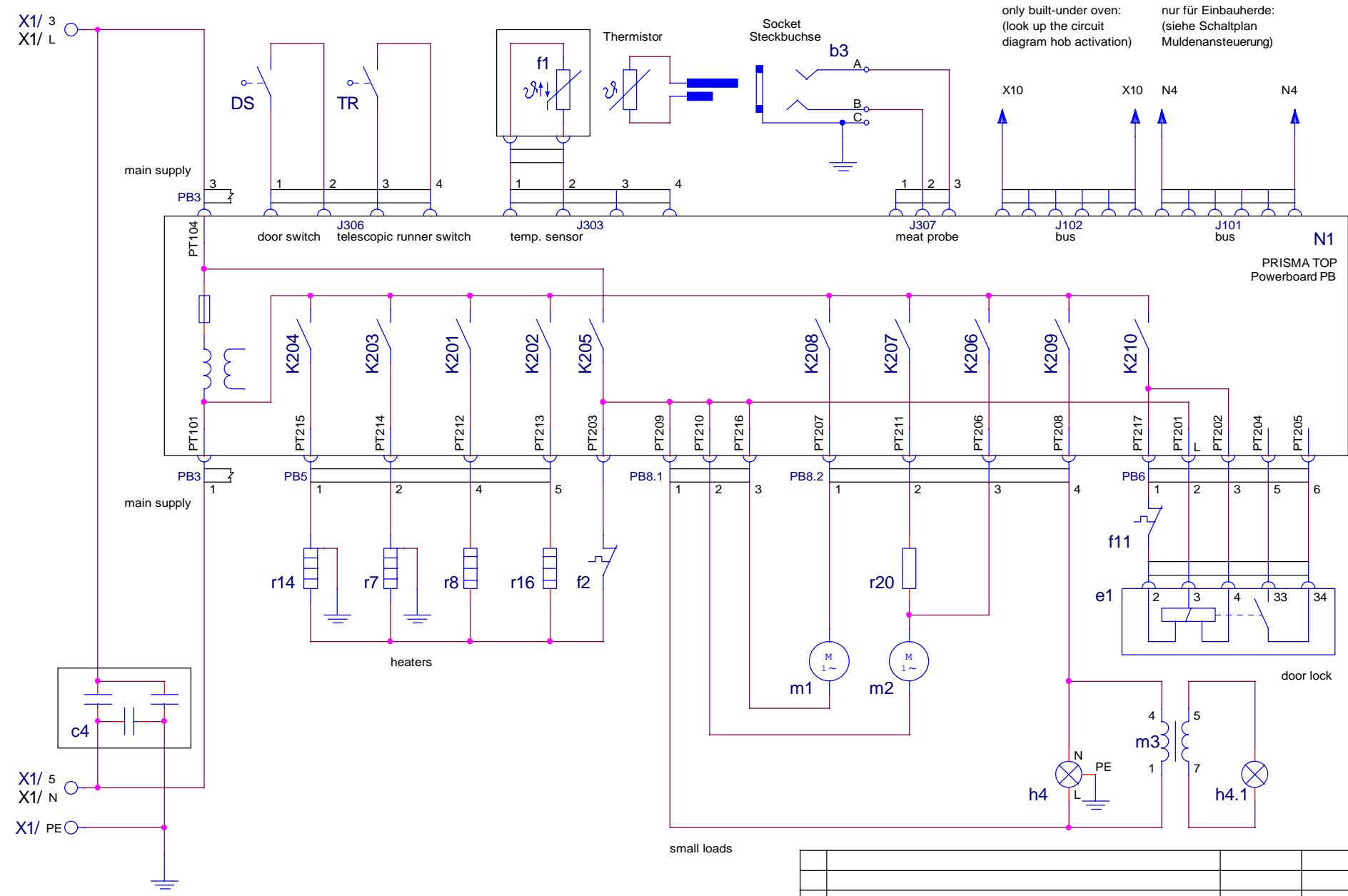
SAFETY RISKS

— : VISIBLE SURFACES
 --- : DRAFT ANGLES (NOT SHOWN): 0°/0'00"

THEORETICAL FLAT AREA
 DEVELOPED FLAT AREA

GENERAL TOLERANCES
 ANGLES : ±°
 LENGTHS AND DIAMETERS
 < 18 mm : ±°
 18 mm : ±°
 > 18 mm : ±°

A4



only built-under oven:
 (look up the circuit diagram hob activation)

nur für Einbauberde:
 (siehe Schaltplan Muldenansteuerung)

DESIGN		OWNER		DRN		CHD		DATE		DESIGN		USERS		EUROPEAN METHOD	
DGT		DGR-PE_PD		Renner		TAPPR		03-06-04		-		-			
ZUST										SIGNATURE		REQUEST		DATE	
MODIFICATIONS															
B										Georgi		DGT 18473		03-08-14	
A										Georgi		DGT 17483		03-06-04	
TITEL										circuit diagram oven					
TITEL										Schaltplan Herd					
NUMBER										330 5949		SHEET		REV	
												01 (01)		B	

