

THE ITEM(S) SHOWN IN THIS DRAWING MUST NOT CONTAIN FORMALDEHYDE, CADMIUM, MERCURY, ASBESTOS OR PBB/PBBO.

THIS DRAWING CONTAINS CONFIDENTIAL INFORMATION. ITS PROPERTY OF ELECTROLUX WITHOUT WHOSE PERMISSION IT MAY NOT BE COPIED, SHOWN OR HANDED TO A THIRD PARTY OR OTHERWISE USED, AND IT IS TO BE RETURNED PROMPTLY UPON REQUEST TO ELECTROLUX WHICH IS RESPONSIBLE FOR THE DRAWING.

CRITICAL DIMENSIONS WHICH MUST BE UNDER CAPABILITY

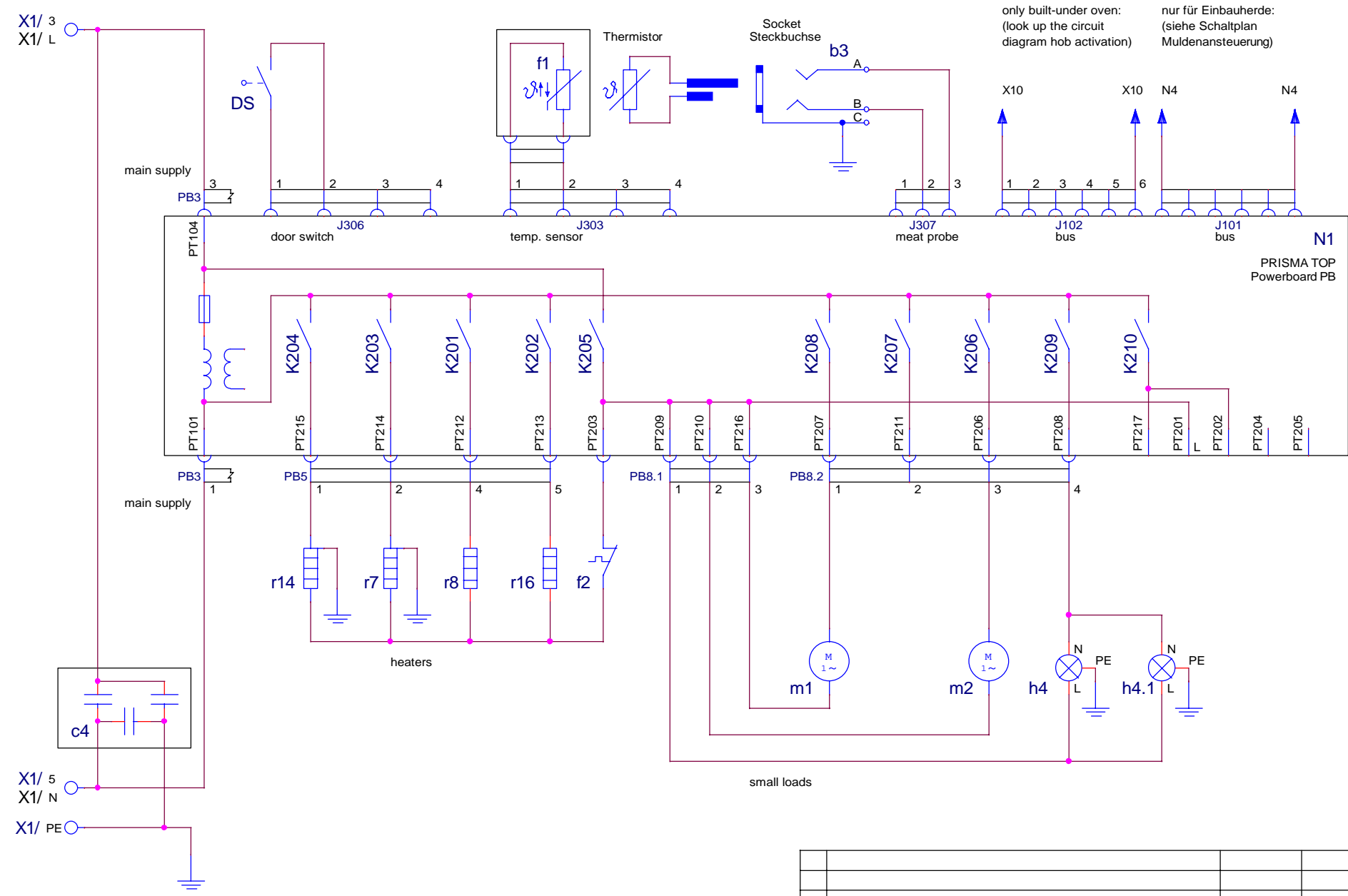
**SAFETY RISKS**

— : VISIBLE SURFACES  
- - - : DRAFT ANGLES (NOT SHOWN): 0°/0'00"

THEORETICAL FLAT AREA  
DEVELOPED FLAT AREA

GENERAL TOLERANCES  
ANGLES : ±°  
LENGTHS AND DIAMETERS  
4-8 mm : ±°  
8-30 mm : ±°  
30-50 mm : ±°  
50-100 mm : ±°

**A4**



only built-under oven:  
(look up the circuit diagram hob activation)

nur für Einbauherde:  
(siehe Schaltplan Muldenansteuerung)

DESIGN		OWNER		DRN		CHD		DATE		DESIGN		USERS		EUROPEAN METHOD			
DGT		DGR-PE_PD		Renner		TAPPR		03-06-04		-		-					
ZUST												SIGNATURE		REQUEST		DATE	
MODIFICATIONS																	
B correction of drawing after pilot series												Georgi		DGT 18473		03-08-14	
A new drawing created												Georgi		DGT 17483		03-06-04	
TITEL												circuit diagram oven					
TITEL												Schaltplan Herd					
NUMBER												330 5948		SHEET		REV	
												01(01)		B			

