

THE ITEM(S) SHOWN IN THIS DRAWING MUST NOT CONTAIN FORMALDEHYDE, CADMIUM, MERCURY, ASBESTOS OR PBB/PBDO.

THIS DRAWING CONTAINS CONFIDENTIAL INFORMATION. ITS PROPERTY OF ELECTROLUX WITHOUT WHOSE PERMISSION IT MAY NOT BE COPIED, SHOWN OR HANDED TO A THIRD PARTY OR OTHERWISE USED, AND IT IS TO BE RETURNED PROMPTLY UPON REQUEST TO ELECTROLUX WHICH IS RESPONSIBLE FOR THE DRAWING.

CRITICAL DIMENSIONS WHICH MUST BE UNDER CAPABILITY

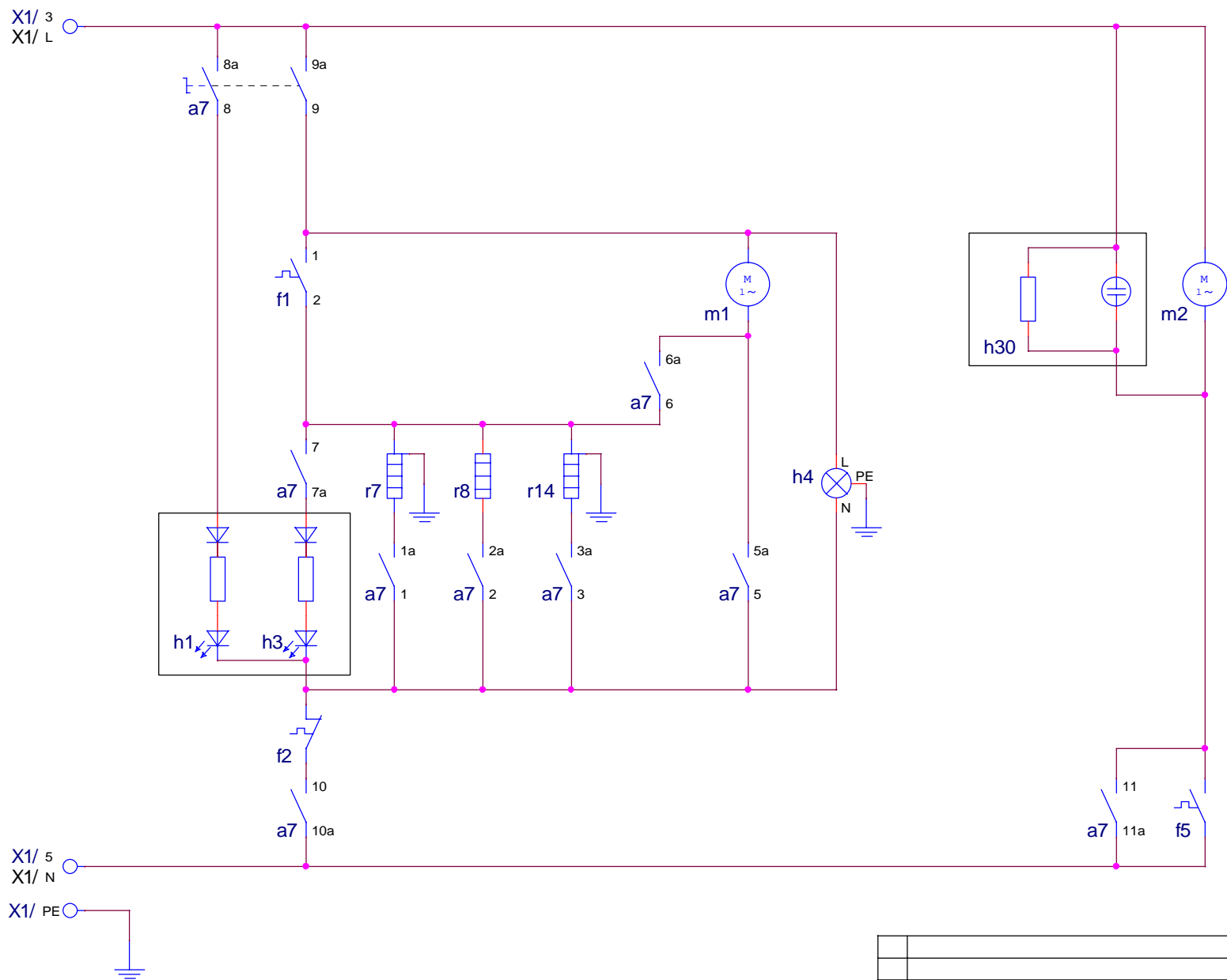
SAFETY RISKS

— : VISIBLE SURFACES
 --- : DRAFT ANGLES (NOT SHOWN): 0°/000°

THEORETICAL FLAT AREA
 DEVELOPED FLAT AREA

GENERAL TOLERANCES
 ANGLES : ±°
 LENGTHS AND DIAMETERS
 < 18 mm : ±
 18 mm : ±
 > 18 mm : ±

A4



DESIGN		OWNER	DRN	CHD	DATE	DESIGN	USERS	EUROPEAN METHOD	
DGT	DGR-PE_PD	Renner		Georgi	03-06-04	-	-		
ZUST		MODIFICATIONS				SIGNATURE	REQUEST	DATE	
B		diode was added				Georgi	DGT 18935	03-09-03	
A		new drawing created				Georgi	DGT 17483	03-06-04	
TITLE						circuit diagram oven			
TITEL						Schaltplan Herd			
NUMBER						SHEET		REV	
330 5944						01 (01)		B	

