

THE ITEMS SHOWN IN THIS DRAWING MUST NOT CONTAIN FORMALDEHYDE, CADMIUM, MERCURY, ASBESTOS OR PBB/PBDO.

THIS DRAWING CONTAINS CONFIDENTIAL INFORMATION. IT'S PROPERTY OF ELECTROLUX. WITHOUT WHOSE PERMISSION IT MAY NOT BE COPIED, SHOWN OR HANDED TO A THIRD PARTY OR OTHERWISE USED, AND IT IS TO BE RETURNED PROMPTLY UPON REQUEST TO ELECTROLUX WHICH IS RESPONSIBLE FOR THE DRAWING.

[2] CRITICAL DIMENSIONS WHICH MUST BE UNDER CAPABILITY

SAFETY RISKS

DRAFT ANGLES (NOT SHOWN): 0.00°/00'

GENERAL TOLERANCES

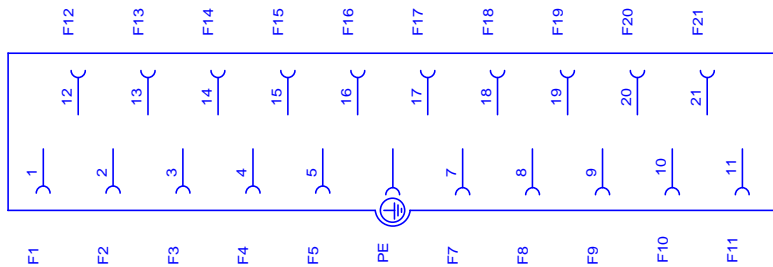
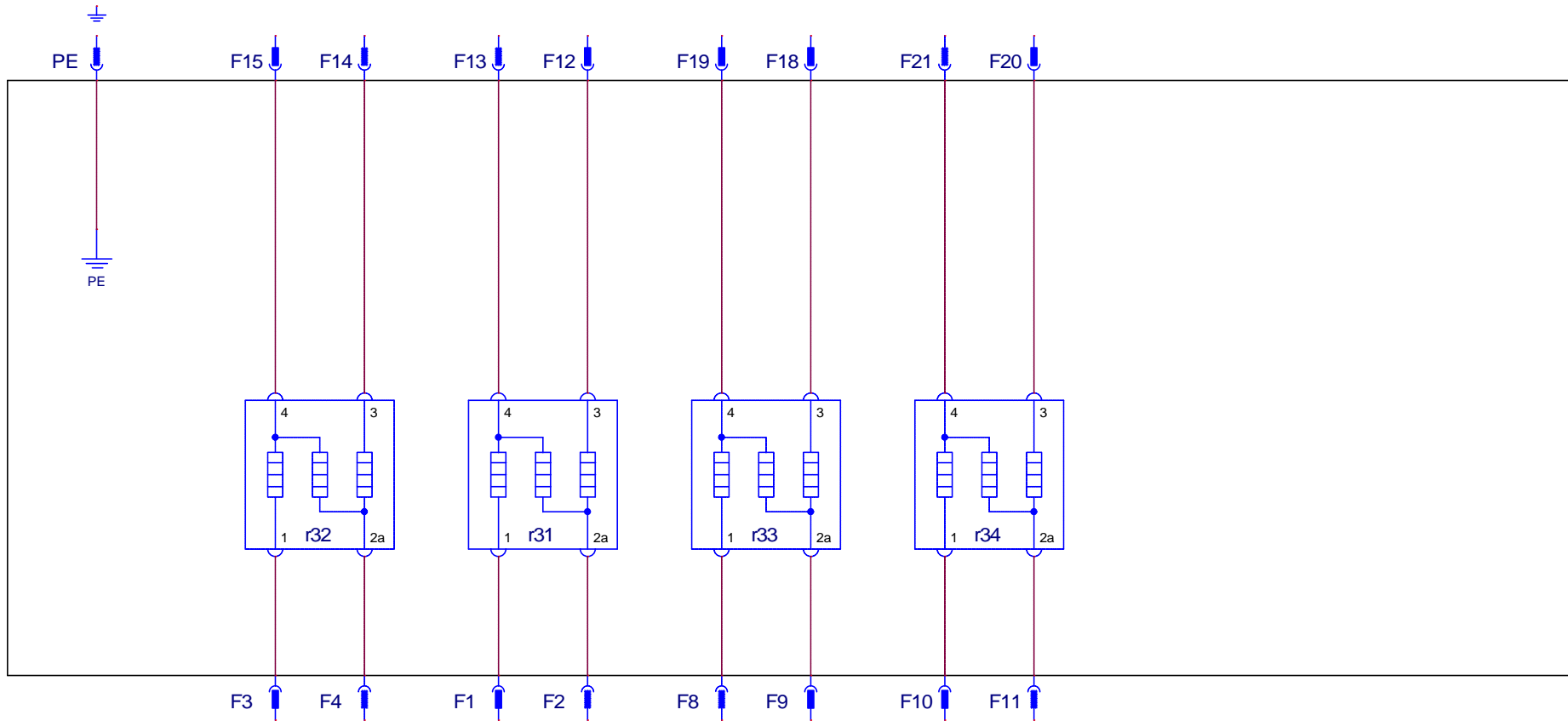
ANGLES : ±°

LENGTHS AND DIAMETERS

18-50 mm : ±°

>50 mm : ±°

A4



DESIGN				OWNER		DRN		CHD		DATE		DESIGN		USERS		SIGNATURE		REQUEST		DATE	
DGT				DGR-PE_PD		Renner		Georgi		03-05-20						Georgi		DGT 17057		03-05-20	
ZUST				MODIFICATIONS																	
A				new drawing created												Georgi		DGT 17057		03-05-20	
TITEL				circuit diagram hob																	
TITEL				Schaltplan Mulde																	
NUMBER				330 5937												SHEET		REV			
																01 (01)		A			

