

THE ITEMS SHOWN IN THIS DRAWING MUST NOT CONTAIN FORMALDEHYDE, CADMIUM, MERCURY, ASBESTOS OR PBB/PPBD.

THIS DRAWING CONTAINS CONFIDENTIAL INFORMATION. IT'S PROPERTY OF ELECTROLUX. WITHOUT WHOSE PERMISSION IT MAY NOT BE COPIED, SHOWN OR HANDED TO A THIRD PARTY OR OTHERWISE USED, AND IT IS TO BE RETURNED PROMPTLY UPON REQUEST TO ELECTROLUX WHICH IS RESPONSIBLE FOR THE DRAWING.

[2] CRITICAL DIMENSIONS WHICH MUST BE UNDER CAPABILITY

**SAFETY RISKS**

VISIBLE SURFACES

DRAFT ANGLES (NOT SHOWN): 0.0°/0.000°

THEORETICAL FLAT AREA

DEVELOPED FLAT AREA

GENERAL TOLERANCES

ANGLES : ±°

LENGTHS AND DIAMETERS

18-80 mm : ±0.10

>80 mm : ±0.15

A4

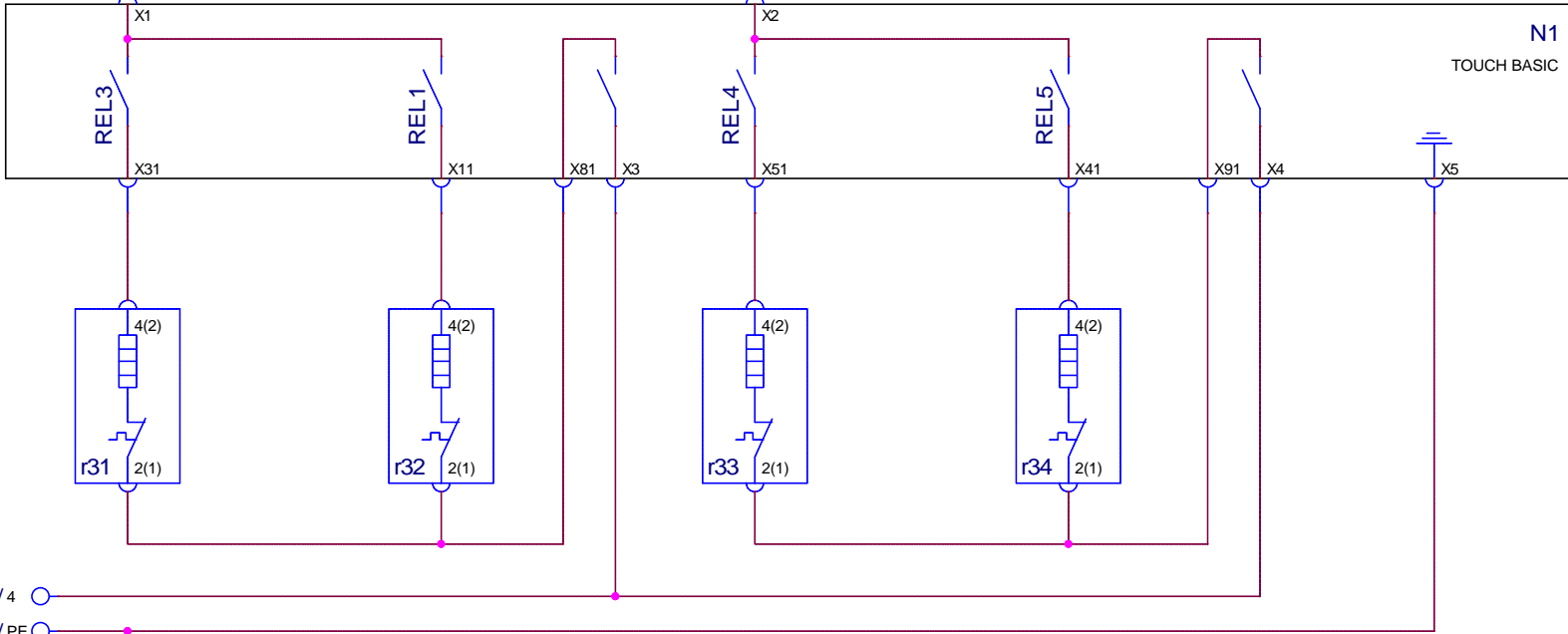
X1/1

X1/2

X1/3

X1/4

X1/PE



DESIGN		OWNER	DRN	CHD	DATE	DESIGN	USERS	EUROPEAN METHOD	
DGT		DGR-PE_PD	Renner	Georgi	03-02-21	-	-		
ZUST		MODIFICATIONS			SIGNATURE		REQUEST	DATE	
A		new drawing created			Georgi		DGT 15666	03-02-21	
TITLE						circuit diagram hob			
TITEL						Schaltplan Mulde			
NUMBER						330 5579		SHEET	REV
						01 (01)		A	

