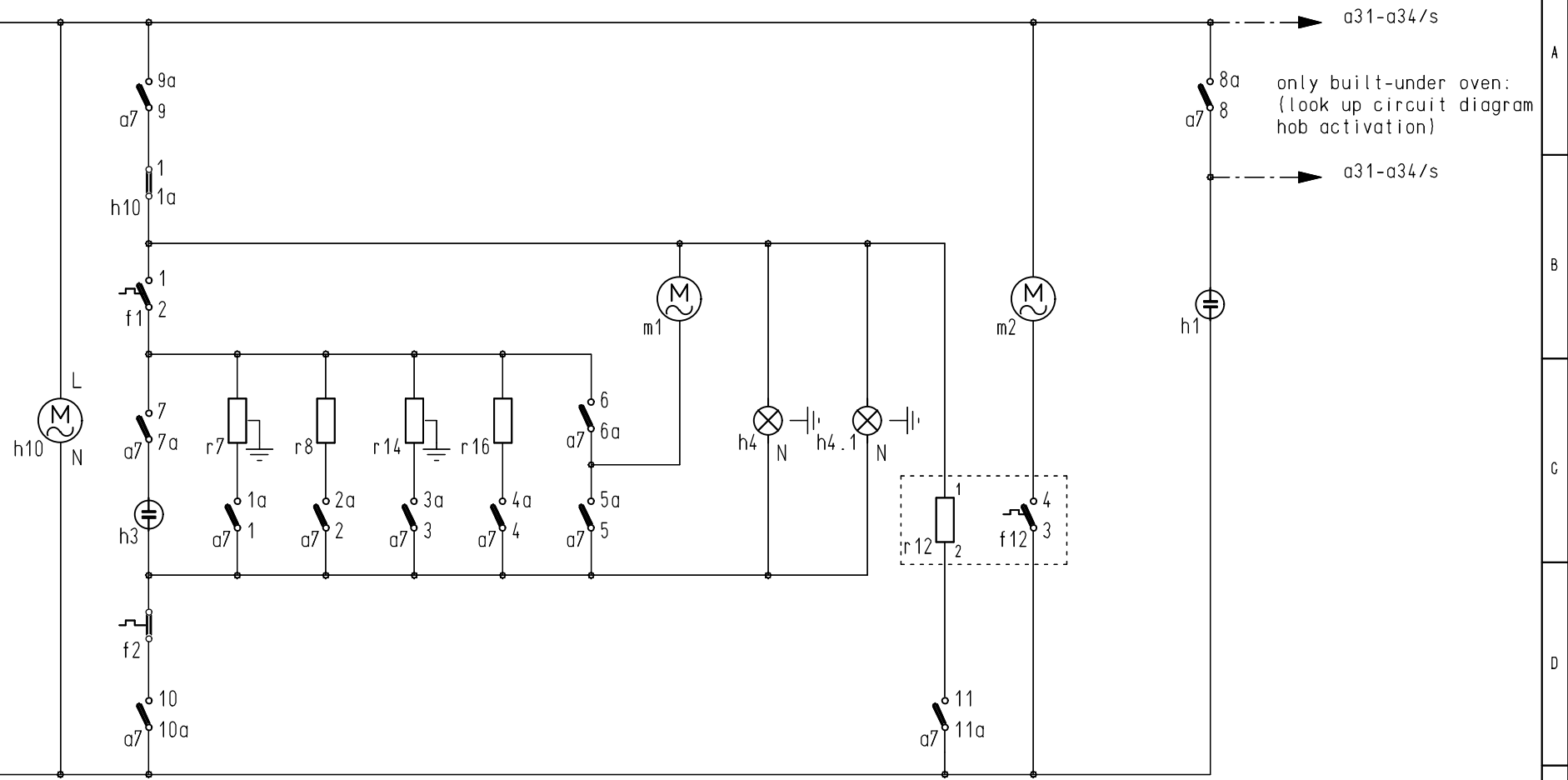


3/L ○

5/N ○

PE ○



only built-under oven:
(look up circuit diagram
hob activation)

| Bratofenschalter | | | 1 | 2 | 3 | 4 | 5 | 6 | 7 | 8 | 9 | 10 | 11 |
|------------------|-----|---------|----|----|----|----|----|----|----|----|----|-----|-----|
| HOT AIR | | | 1a | 2a | 3a | 4a | 5a | 6a | 7a | 8a | 9a | 10a | 11a |
| 0 | 0 | 0 | | | | | | | | | | | |
| 1 | 36 | LAMP | | | | | | | | X | X | X | |
| 2 | 72 | SOLO | X | X | | X | X | X | X | X | X | X | |
| 3 | 108 | MULTI | | | X | X | X | X | X | X | X | X | |
| 4 | 144 | T/B | X | X | | | X | X | X | X | X | X | |
| 5 | 180 | BUTTON | X | | | | X | X | X | X | X | X | |
| 6 | 216 | DEFROST | | | | X | | X | X | X | | | |
| 7 | 252 | GRILL 1 | | X | | | X | X | X | X | X | | |
| 8 | 288 | GRILL 2 | X | X | | | X | X | X | X | X | | |
| 9 | 324 | INFRA | X | X | | X | X | X | X | X | X | | |

| | | | | | | | |
|--------------------|-----------|--------------|------|------------|---------|---------|--|
| Freimasstoleranzen | | Oberflaechen | | Masstab | | CENTURY | |
| Datum | | Name | | Schaltplan | | | |
| 06.03.2002 | | Renner | | | | | |
| Bepr. | | | | | | | |
| Norm. | | | | | | | |
| HT223-N | | | | AEG | | | |
| 330 47 03 | | | | | | | |
| Blatt | | Bl. | | | | | |
| A DGT12411 | | 06.03.02 | | Re | | | |
| Zust. | Aenderung | Datum | Name | Urspr.: | Ers.f.: | Ers.d.: | |