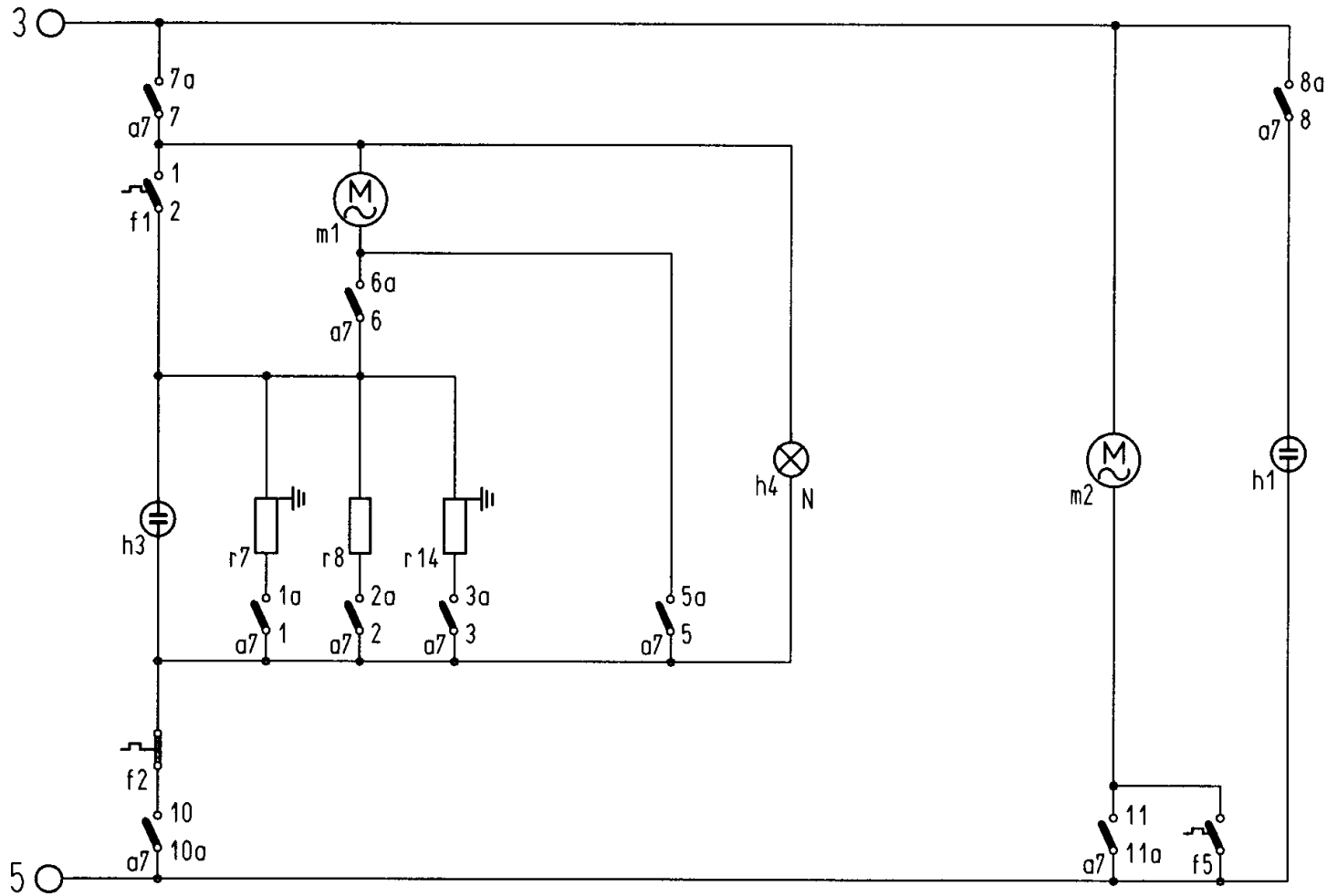


Brotfenschalter		1	2	3	4	5	6	7	8	9	10	11
CIRCULATED		1a	2a	3a	4a	5a	6a	7a	8a	9a	10a	11a
0	0											
1	36	LAMP							X	X	X	
2	72	HOT AIR	X	X		X		X	X	X	X	X
3	108	T/B	X	X				X	X	X	X	X
4	144	BOTTOM	X					X	X	X	X	X
5	180	TOP	X					X	X	X	X	X
6	216	DEFROST				X			X	X	X	
7	252	GRILL 1		X				X	X	X	X	X
8	288	GRILL 2	X	X				X	X	X	X	X
9	324	INFRA	X	X		X		X	X	X	X	X

N0330210400



Bratofenschalter		1	2	3	4	5	6	7	8	9	10	11
CIRCULATED		1a	2a	3a	4a	5a	6a	7a	8a	9a	10a	11a
0	0											
1	36	LAMP						X	X		X	
2	72	HOT AIR	X	X		X		X	X		X	X
3	108	T/B	X	X				X	X		X	X
4	144	BOTTOM	X					X	X		X	X
5	180	TOP	X					X	X		X	X
6	216	DEFROST				X		X	X		X	
7	252	BRILL 1		X				X	X	X	X	X
8	288	BRILL 2	X	X				X	X	X	X	X
9	324	INFRA	X	X			X	X	X	X	X	X

N0330210400