

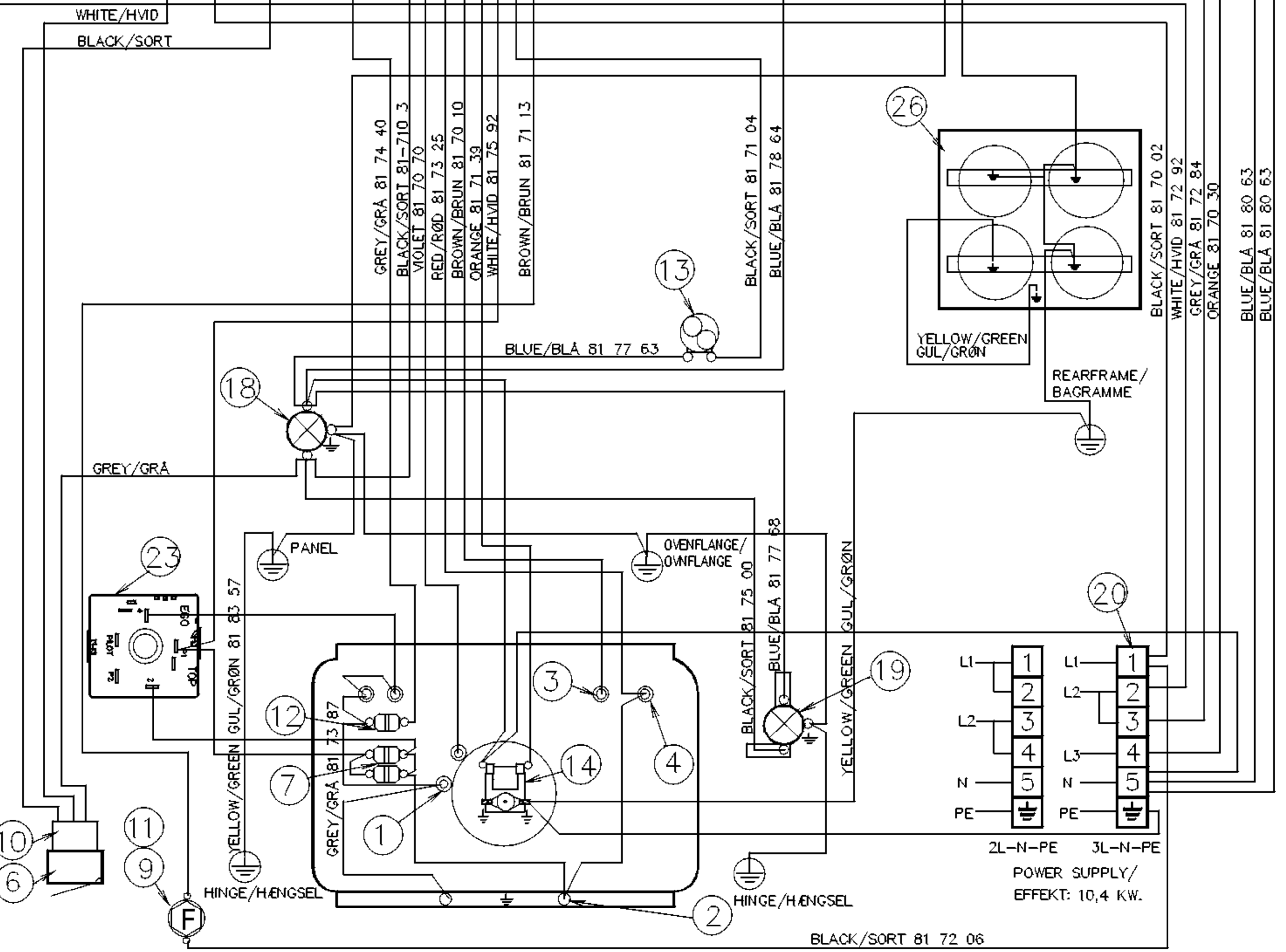
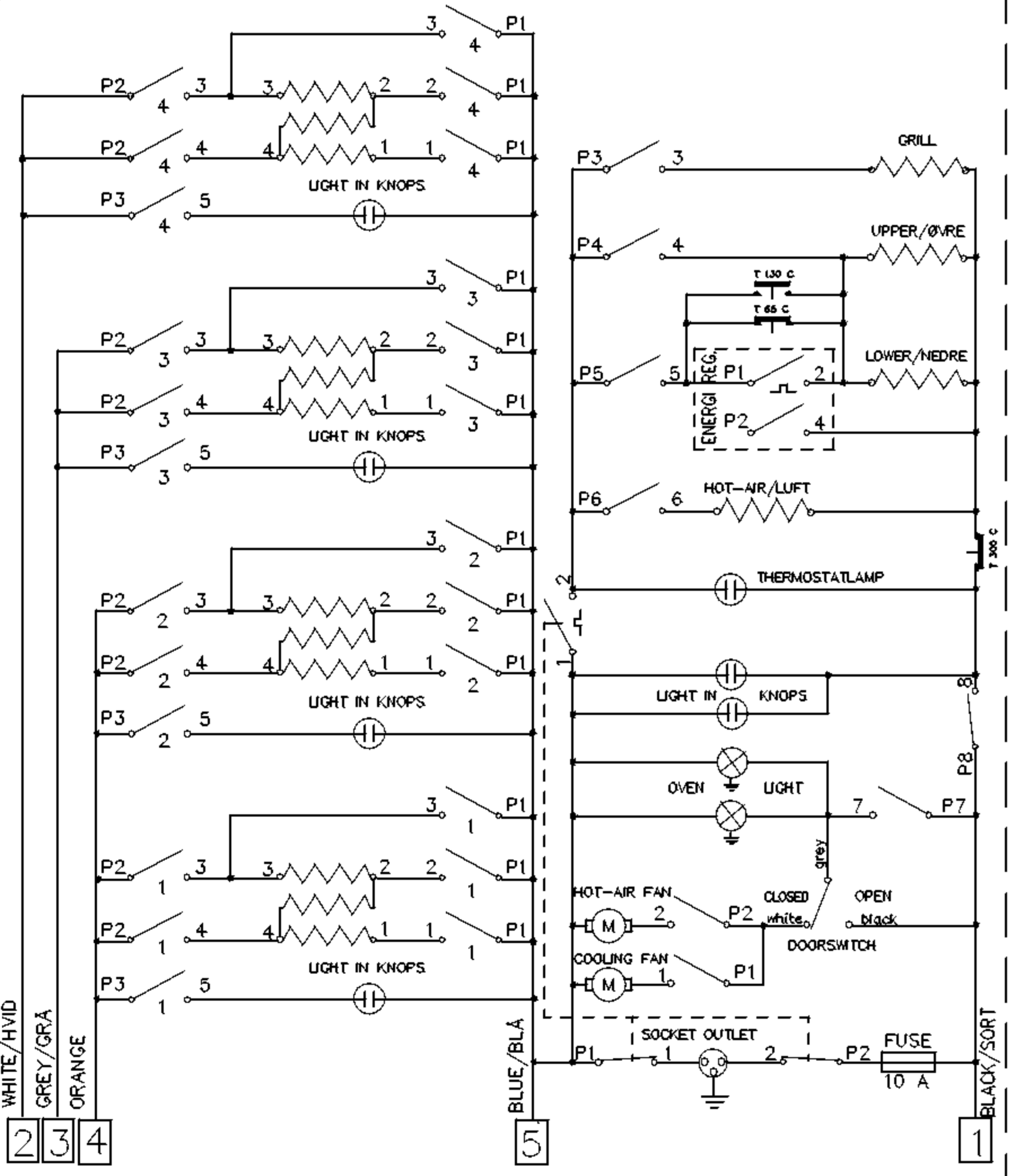
PRODUKTIONENS PRØVEMODEL GODKENDT  
TEST MODEL OF PRODUCTION APPROVED  
DATE: \_\_\_\_\_ SIGN: \_\_\_\_\_

This drawing contains confidential information and is the property of ELECTROLUX HOME PRODUCTS FREDERICA A/S. It is not to be reproduced, stored in a retrieval system, or transmitted in any form or by any means, electronic, mechanical, photocopying, recording, or otherwise, without the prior written permission of Electrolux Home Products A/S. These lists are based on legislation and on Electrolux requirements for the drawing.

Items shown in this drawing must not contain substances classified as "hazardous" or "restricted" according to the Electrolux Group Restricted Materials List (see www.electrolux.com) and to the Business Sector specific amendments. These lists are based on legislation and on Electrolux requirements.

Critical dimensions which must be under capability  
Visible surfaces.  
Draft angles (not shown):

THEORETICAL FLAT AREA  
DEVELOPED FLAT AREA  
GENERAL TOLERANCES  
ANGLES AND DIAMETERS



from Serial number 63924566

POS/ANT	GENSTAND	90 53 75
26	1	TOPPLATE DIAGRAM/ØVERPLADE DIAGRAM
25	1	SWITCH/AFBRYDER FOR STIKKONTAKT RoHS
24	1	SWITCH F. HØTAROVEN/AFB. LUFTOVN (ØKØD) RoHS
23	1	ENERGY.REG./SIMMERSTAT KL. A RoHS 230V
22	4	ENERGY.REG./AFBRYDER 7-TRIN RoHS
21	1	OVEN THERMOSTAT/TERMOSTAT 320 ØR
20	1	TERMINAL STRIP/KLEMRØRKE RoHS 6 POLS, SNAP
19	1	OVENLAMP SIDE/ØVNLAMPE SIDE BJB 25W 230V
18	1	OVENLAMP TOP/ØVNLAMPE TOP 25W 230V
17	4	CONTROLLAMP/SKALALAMPE 230V (SOFT)
16	1	CONTROLLAMP/KONTROLLAMPE 230V FIKRANTET
15	1	CONTROLLAMP/SKALALAMPESÆT 230V (SOFT)
14	1	FAN HØTAR/VLMOTOR MES NG2002 230V RoHS
13	1	COOLING FAN/VLMOTOR 230V P-SYSTEM RoHS
12	1	THERMOFUSE/TERMOSIKRING 300 C
11	1	FUSEHØLDER/SIKRINGHØLDER RoHS
10	1	WIRESØT DOORSWITCH
9	2	FUSE/SMELTESIKRING 10 A RoHS
8	1	SOCKET OUT-LET/STIKKONTAKT 10 A
7	1	TERMOSTAT 6S/130 ENERGIL. A
6	1	MICROSWITCH/DØRSWITCH 16A/250V. SKIFTE
5	1	INSULATION COVER/TYLLE F. 6,3x0,8mm FASTON
4	1	HEATINGELE. /VARMELÆG. ØVRE RoHS 1000W 230V
3	1	HEATINGELE. GRILL/VARMELÆG. RoHS 2300W 230V
2	1	HEATINGELE. LØVER/VARMELÆG. RoHS 1000W 230V
1	1	HEATINGELEMENT RINGVARMELÆG RoHS 1350W 230V

WIRINGSET/LEDNINGSSÆT PANEL: 325 80 47 70

SWITCH F. HØTAR OVEN CLASS A	1	2	3	4	5	6	7	8
AFBRYDER F. LUFTOVN KLASSE A	P1	P2	P3	P4	P5	P6	P7	P8
HOT-AIR	1	X	X	X	X	X	X	X
TOP/BOTTOM HEAT	2	X	X	X	X	X	X	X
TOP/BOTTOM ECONOMIC	3	X	X	X	X	X	X	X
FAN + GRILL	4	X	X	X	X	X	X	X
GRILL	5	X	X	X	X	X	X	X

TYPE: CSS 400
MODEL: ELM4204-hv
PRODUCT NO.: 948 231 027

MODIFICATIONS	SIGNATURE	REQUEST	DATE
DOORSW CHANGED, PNC: -024 REMOVED/DØRSWITCH ØNDRET REV. C	HH	PB	2006-09-05
MODEL 948231027 ADDED/MODEL (ROHS) TILFØJET REV. 2	HH	PB	2005-11-21

MATERIAL	DESIGN OWNER	DRW	CHK	PB	DATE
-	DKK	HH	APP	PB	2005-06-06
TREATMENT	WEIGHT				
-	-				

**Electrolux**  
HOME PRODUCTS DENMARK

MODEL	SCALE	-
DESIGN USERS	REPLACES	-
-	DERIVED FROM	-
-	SUPPLY SPECIFICATIONS	-
TITLE: FUTURA COOKER SOLID		
FUTURA MASSEPL. KOMFUR		
NUMBER	325 90 25 53	REV C