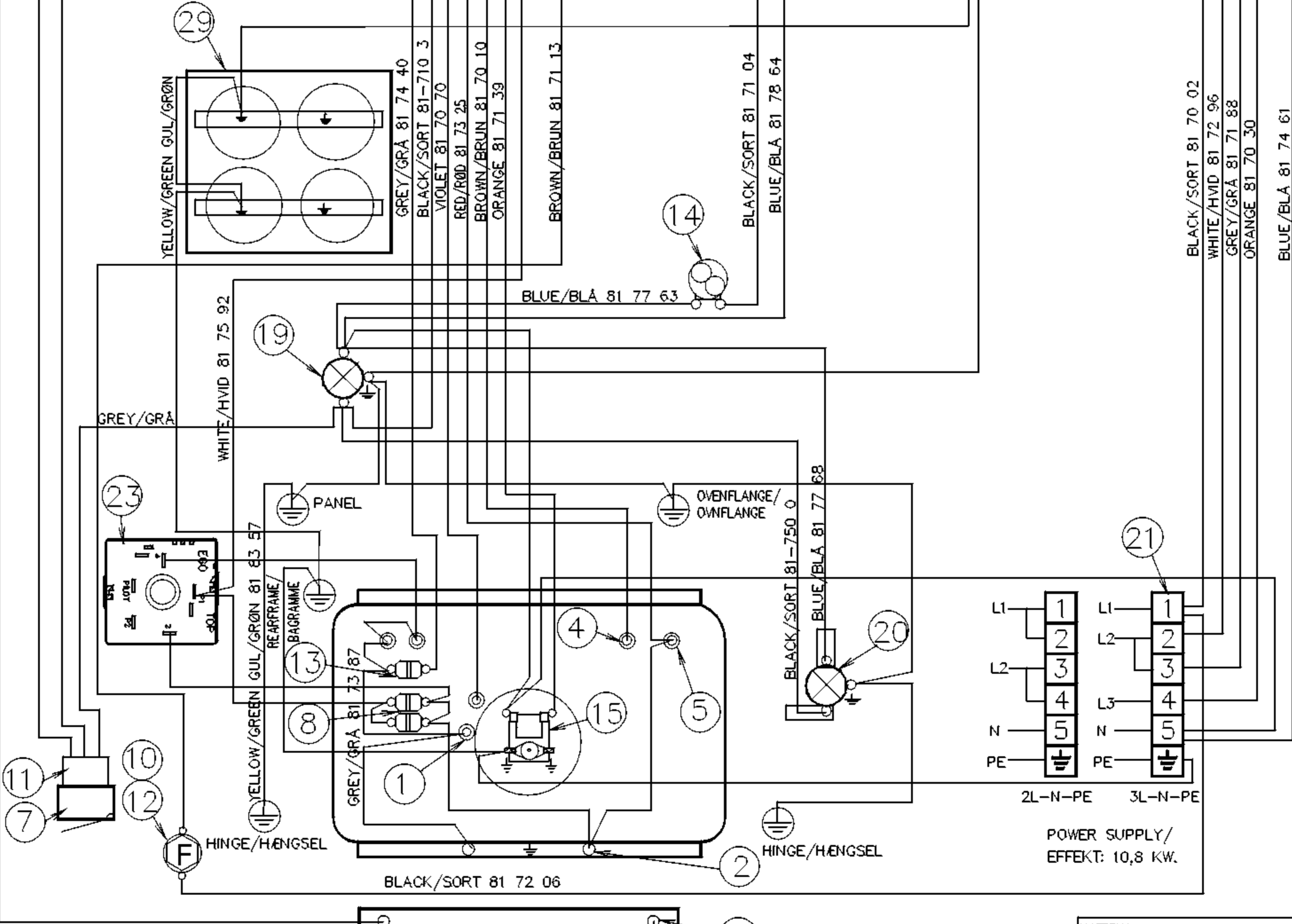
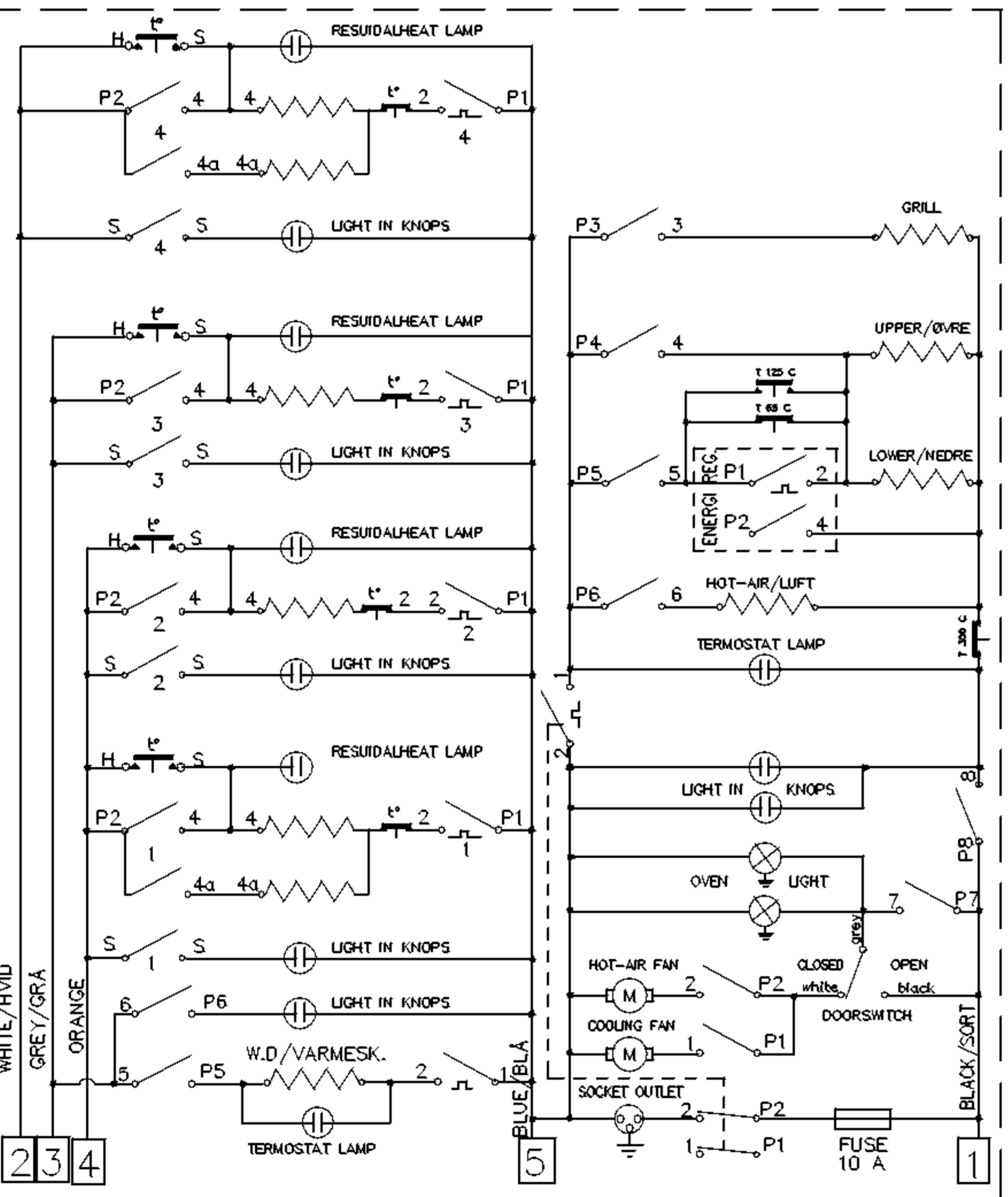
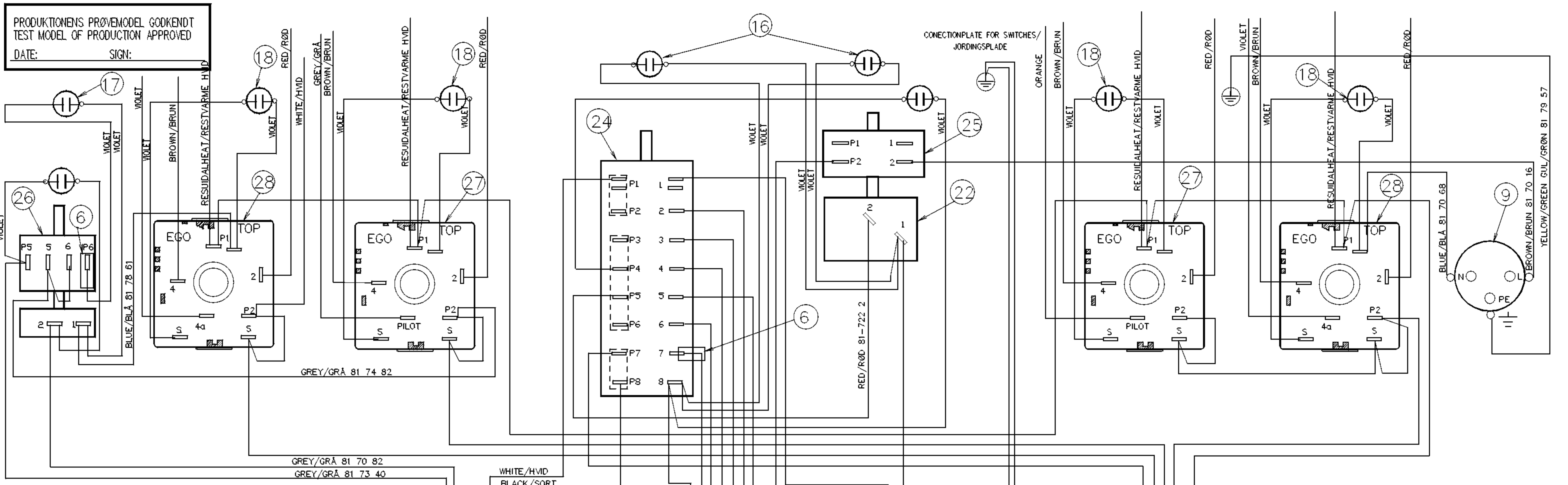


This drawing contains confidential information and is the property of ELECTROLUX HOME PRODUCTS FREDERICA A/S. It is to be used only for the production of the product or for the repair of it. It is to be returned promptly upon request to the ELECTROLUX HOME PRODUCTS FREDERICA which is responsible for the drawing.

Items shown in this drawing must not contain substances classified as "hazardous" or "restricted" according to the Electrolux Group Restricted Materials List (see www.electrolux.com) and to the Business Sector specific amendments. These lists are based on legislation and on Electrolux requirements.

Critical dimensions which must be under capability  
Visible surfaces  
Draft angles (not shown):

THEORETICAL FLAT AREA  
DEVELOPED FLAT AREA  
GENERAL TOLERANCES  
ANGLES  
LENGTHS AND DIAMETERS



from Serial number 63924566

POS	ANT	GENSTAND	MATERIALE
29	1	TOPPLATE DIAGRAM/ØVERPLADE DIAGRAM	90 53 58
28	2	ENERGY REG./SIMMERSTAT 2 KREDS RoHS 230V	
27	2	ENERGY REG./SIMMERSTAT ENKEL 230V RoHS	
26	1	THERMOSTAT/TERMOSTAT F.V.SKUFFE RoHS	
25	1	SWITCH/AFBRYDER FOR STIKKONTAKT RoHS	
24	1	SWITCH F. HOTAIRØVEN/AFB. LUFTOVN (ØKO) RoHS	
23	1	ENERGY REG./SIMMERSTAT KL.A RoHS 230V	
22	1	OVN THERMOSTAT/TERMOSTAT 320 GR	
21	1	TERMINAL STRIP/KLEMREKKE RoHS 6 POLS, SNAP	
20	1	OVNLAMP SIDE/ØVNLAMPE SIDE BJB 25W 230V	
19	1	OVNLAMP TOP/ØVNLAMPE TOP 25W 230V	
18	4	CONTROLLAMP/SKALALAMPE 230V (SDFT)	
17	1	CONTROLLAMP/SKALALAMPE 230V (SDFT, AEG)	
16	1	CONTROLLAMP/SKALALAMPESET 230V (SDFT)	
15	1	FAN HOTAIR/VLMOTOR MES NG2002 230V RoHS	
14	1	COOLING FAN/KØLEMOTOR 230V P-SYSTEM RoHS	
13	1	THERMOFUSE/TERMOFUSE 300 C	
12	1	FUSEHOLDER/STIKRINGSHOLDER RoHS	
11	1	WIRESET DOORSWITCH	
10	1	FUSE/SMELTESIKRING 10 A RoHS	
9	1	SOCKET OUT-LET/STIKKONTAKT 10 A	
8	1	THERMOSTAT 65/130 ENERGIKL. A	
7	1	MICROSWITCH/DØRSWITCH 16A/250V, SKIFTE	
6	2	INSULATION COVER/TYLLE F. 6,3x0,8mm FASTON	
5	1	HEATINGELEM./VARMELEG.ØVRE RoHS 1000W 230V	
4	1	HEATINGELEM./GRILL/VARMELEG. RoHS 2300W 230V	
3	1	HEATINGELEM./W.D./VARMELEG.SKUFFE 500W 230V	
2	1	HEATINGELEM./LØVER/VARMELEG. RoHS 1000W 230V	
1	1	HEATINGELEMENT RING/VARMELEG RoHS 1350W 230V	

TYPE: CSC 400
MODEL ELK4666-hv
PRODUCT NO. 948 201 143

SWITCH F. HOTAIR OVEN CLASS A	1	2	3	4	5	6	7	8
AFBRYDER F. LUFTOVN KLASSE A	P1	P2	P3	P4	P5	P6	P7	P8
HOT-AIR	0	X	X	X	X	X	X	X
TOP/BOTTOM HEAT	2	X		X		X	X	X
TOP/BOTTOM ECONOMIC	3	X		X		X	X	X
FAN + GRILL	4	X	X	X		X	X	X
GRILL	5	X	X			X	X	X

WIRINGSET/LEDNINGSSÆT: 325 80 47 50

DOORSW CHANGED, PNC.-124 REMOVED/ DØRSWITCH ÆNDRET rev. C	HH	PB	2006-09-05
Model 948201143 added/model tilføjet (RoHS) rev. B	HH	PB	2005-12-14

MATERIAL	TREATMENT	DESIGN OWNER	DRN	CHD	PB	DATE
-	-	DKK	HH	APPR.	PB	2005-06-06



MODEL	SCALE	DESIGN USERS	REPLACES
-	-	-	-
TITLE: FUTURA COOKER CERAMIC		DERIVED FROM	
FUTURA KERAMISK KOMFUR		-	
NUMBER	REV	SUPPLY SPECIFICATIONS	
325 90 21 47	C	-	