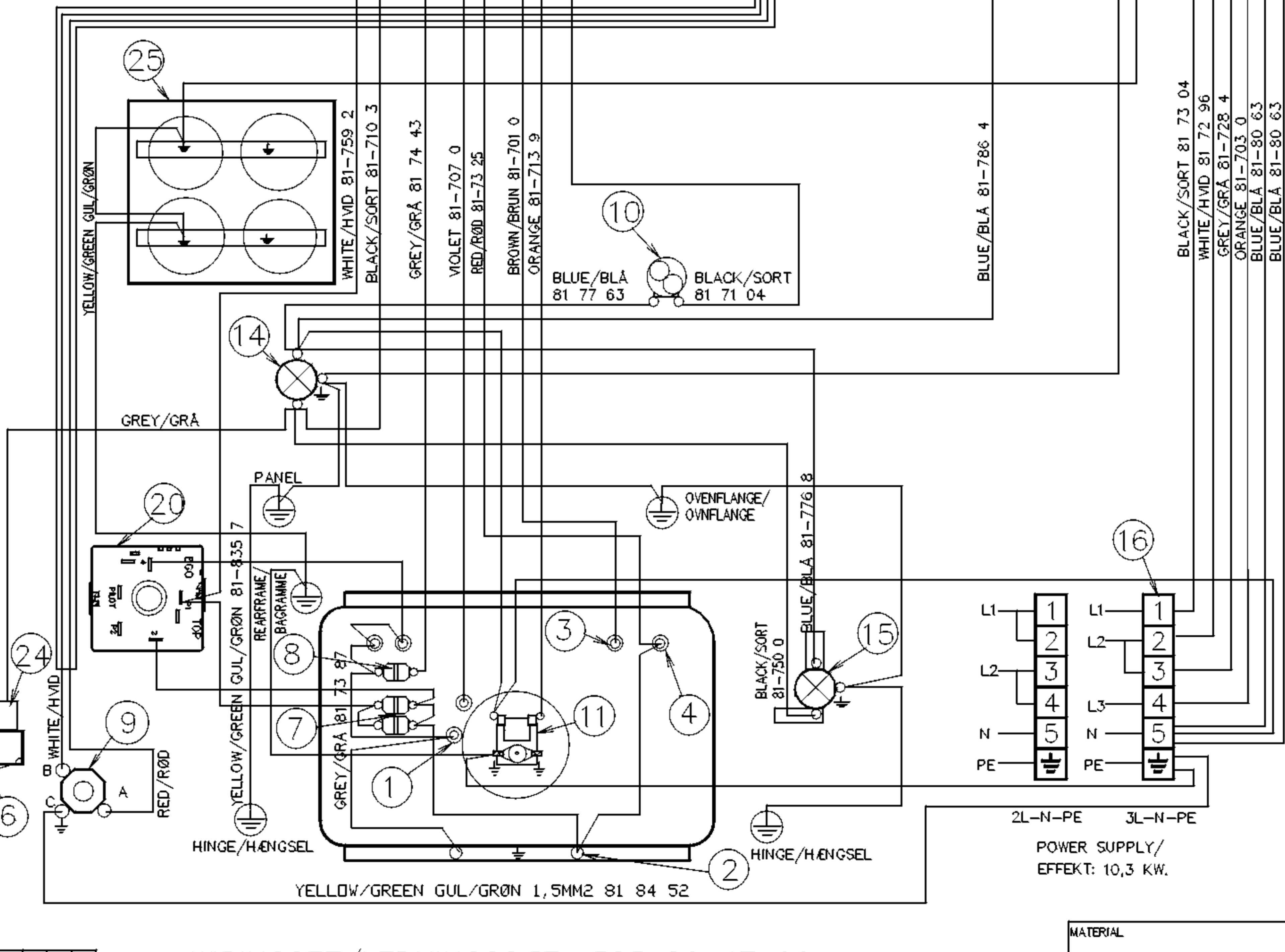
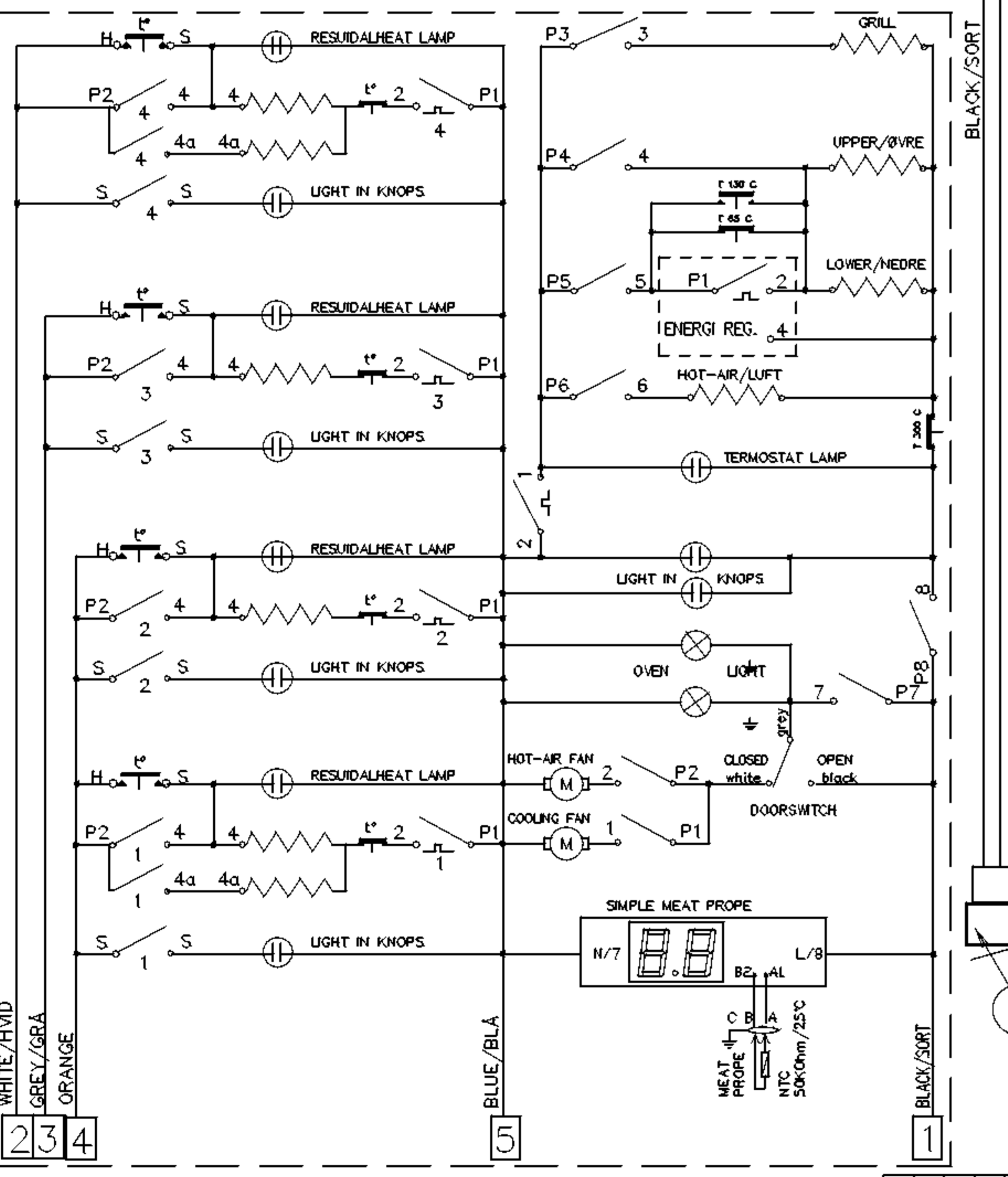
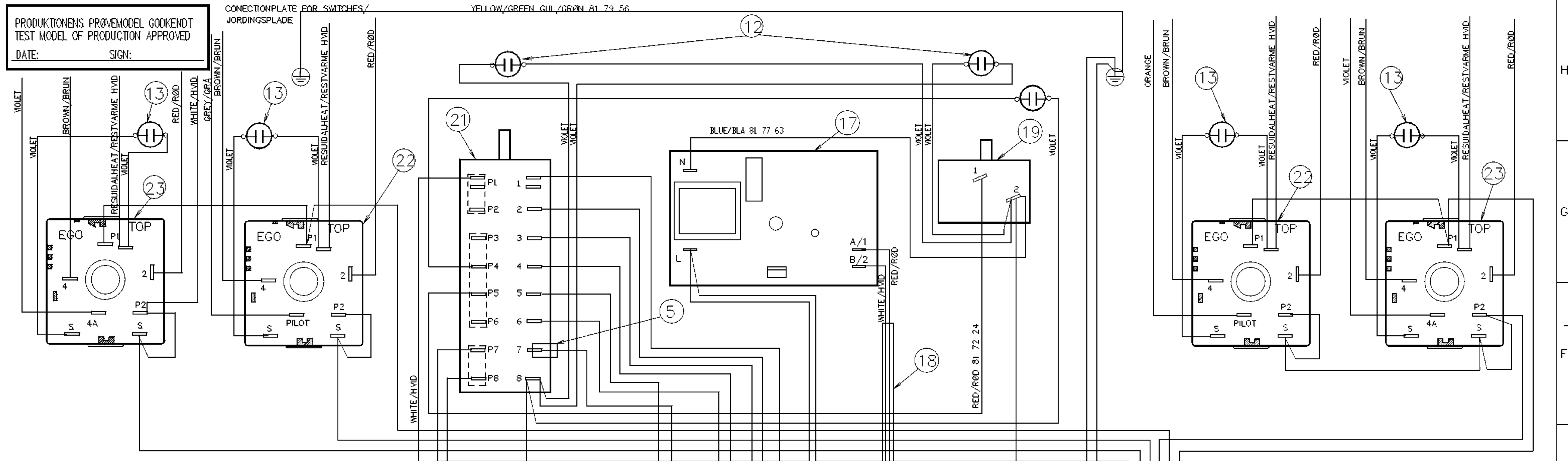


This drawing contains confidential information and is the property of ELECTROLUX HOME PRODUCTS FREDERICIA A/S. No part of this drawing may be reproduced, stored in a retrieval system, or transmitted in any form or by any means, electronic, mechanical, photocopying, recording, or by any information storage and retrieval system, without the prior written permission of Electrolux Home Products Fredericia A/S.

Items shown in this drawing must not contain substances classified as "harmful" or "restricted" according to the Electrolux Group Restricted Materials List (see www.electrolux.com) and to the Business Sector specific amendments and to the Business Sector specific amendments. These lists are based on legislation and on Electrolux requirements.

Critical dimensions which must be under capability
Visible surfaces
Draft angles (not shown):

THEORETICAL FLAT AREA
DEVELOPED FLAT AREA
GENERAL TOLERANCES
ANGLES AND DIMETERS



from Serial number 63924566

POS	ANT	GENSTAND	MATERIALE
25	1	TOPPLATE DIAGRAM/OVERPLADE DIAGRAM	90 53 63
24	1	WIRESET DOORSWITCH	
23	2	ENERGY REG./SIMMERSTAT 2 KREDS RoHS 230V	
22	2	ENERGY REG./SIMMERSTAT ENKEL 230V RoHS	
21	1	SWITCH F. HOTAIROVEN/AFB. LUETOVN (ØKØ) RoHS	
20	1	ENERGY REG./SIMMERSTAT K.L.A RoHS 230V	
19	1	OVEN THERMOSTAT/THERMOSTAT 320 GR	
18	1	WIRESET HEAT PROBE	
17	1	SIMPLE HEAT PROBE DISPLAY 230V	
16	1	TERMINAL STRIP/KLENRÅKKE RoHS 6 PØLS SNAP	
15	1	OVENLAMP SIDE/OVN LAMPE SIDE BJB 25W 230V	
14	1	OVENLAMP TOP/OVN LAMPE TOP 25W 230V	
13	4	CONTROLLAMP/SKALALAMPE 230V (SOFT AEG)	
12	1	CONTROLLAMP/SKALALAMPESAT 230V (SOFT AEG)	
11	1	FAN HOTAIR/VLMOTOR MES NØ2002 230V RoHS	
10	1	COOLING FAN/KØLEMOTOR 230V P-SYSTEM RoHS	
9	1	JACK FOR HEAT PROBE/JACKBØSNING STEGESPYD	
8	1	THERMIFUSE/THERMOSKRING 300 C	
7	1	THERMOSTAT 65/130 ENERGIKL. A	
6	1	MICROSWITCH/DØRSWITCH 16A/250V. SKIFTE	
5	1	INSULATION COVER/TYLL F. 6.3x0.8mm FASTON	
4	1	HEATINGELE./VARMELEG ØVRE RoHS 1000W 230V	
3	1	HEATINGELE. GRILL/VARMELEG RoHS 2300W 230V	
2	1	HEATINGELE. LØVER/VARMELEG RoHS 1000W 230V	
1	1	HEATINGELEMENT RING/VARMELEG RoHS 1350W 230V	

WIRINGSET/LEDNINGSSÆT : 325 80 47 00

TYPE: CSC 400	
MODEL	PRODUCT NO.
ELK4168-hv	948 201 138

SWITCH F. HOTAIR OVEN CLASS A	1	2	3	4	5	6	7	8
AFBRYDER F. LUETOVN KLASSE A	P1	P2	P3	P4	P5	P6	P7	P8
HOT-AIR	1	X	X	X	X	X	X	X
TOP/BOTTOM HEAT	2	X		X		X	X	X
TOP/BOTTOM ECONOMIC	3	X		X		X	X	X
FAN + GRILL	4	X	X	X		X	X	X
GRILL	5	X	X			X	X	X

POS	MODIFIKATIONS	SIGNATURE	REQUEST	DATE
	DOOR SW CHANGED, PNC.-119 REMOVED/ DØRSWITCH ÆNDRET rev. C	HH	PB	2006-09-05
	Model added/ 948201138 tilføjet (RoHS) rev. B	HH	PB	2005-12-14

MATERIAL	DESIGN	SCALE	NO.
TREATMENT	WEIGHT	DESIGN USERS	REPLACES
DESIGN OWNER	DRY	CHO	DATE
DKK	HH	PB	2005-06-07

Electrolux
HOME PRODUCTS DENMARK

MODEL	SCALE	NO.
DESIGN USERS	REPLACES	NO.
DERIVED FROM	SUPPLY SPECIFICATIONS	NO.
TITLE: FUTURA COOKER CERAMIC FUTURA KERAMISK KOMFUR		
NUMBER	REV	C
325 90 21 42		