

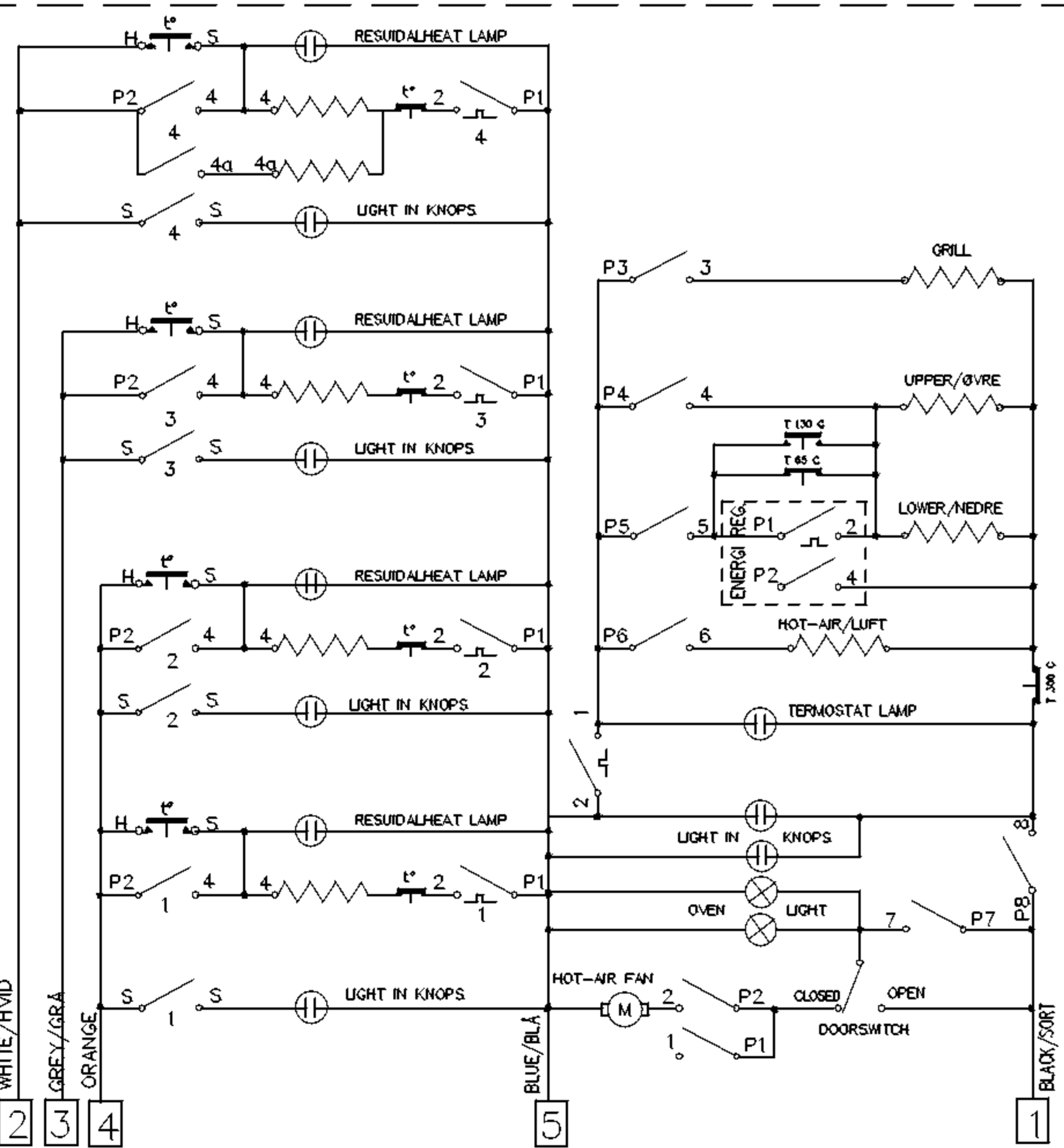
This drawing contains confidential information and is the property of ELECTROLUX HOME PRODUCTS FREDERICA A/S. It is to be used only for the purposes intended and is to be returned promptly upon request to the ELECTROLUX HOME PRODUCTS FREDERICA which is responsible for the drawing.

Items shown in this drawing must not contain substances classified as "hazardous" or "restricted" according to the Electrolux Group Restricted Materials List (see www.electrolux.com) and to the Business Sector specific amendments. These lists are based on legislation and on Electrolux requirements.

Critical dimensions which must be under capability
Visible surfaces
Draft angles (not shown):

GENERAL TOLERANCES
ANGLES
LENGTHS AND DIAMETERS
THEORETICAL FLAT AREA
DEVELOPED FLAT AREA

PRODUKTIONENS PRØVEMODEL GODKENDT
TEST MODEL OF PRODUCTION APPROVED
DATE: SIGN:



TYPE: CSC 400	
MODEL	PRODUCT NO.
ELK1213-hv	948 201 127

SWITCH F. HOTAIR OVEN CLASS A AFBRYDER F. LUFTOVN KLASSE A	1	2	3	4	5	6	7	8
	P1	P2	P3	P4	P5	P6	P7	P8
HOT-AIR	1	X	X	X	X	X	X	X
TOP/BOTTOM HEAT	2	X		X		X	X	X
TOP/BOTTOM ECONOMIC	3	X			X		X	X
FAN + GRILL	4	X	X	X			X	X
GRILL	5	X	X				X	X

WIRINGSET/LEDNINGSSÆT PANEL: 325 80 40 80

DOOR SW CHANGED, PNC: -101 REMOVED / DØR SWITCH ÆNDRET REV. F	HH	PB	2006-09-05
MODEL ADDED/MODEL 94820127 TILFØJET (RoHS) REV. E	HH	PB	2005-12-14
MODEL ADDED/MODEL 94820101 TILFØJET REV. 4	HH	PB	2005-02-15
WIRING CHANGED/LEDNINGSFØRING ÆNDRET REV. 3	HH	PB	2004-04-27
WIRING CHANGED/LEDNINGSFØRING ÆNDRET REV. 2	HH	PB	2004-02-20

MATERIAL	DESIGN OWNER	DRN	CHD	PB	DATE
-	DKK	HH	APPR.		2002-05-15
TREATMENT	WEIGHT				
-	-				



from Serial number 63924566

POS	ANT	GENSTAND	MATERIALE
22	1	TOPPLATE DIAGRAM/OVERPLADE DIAGRAM	90 53 62
21	1	WIRESET DOORSWITCH	
20	1	ENERGY.REG./SIMMERSTAT 2 KREDS RoHS 230V	
19	1	ENERGY.REG./SIMMERSTAT ENKEL 230V RoHS	
18	3	ENERGY.REG./SIMMERSTAT KLA RoHS 230V	
17	1	SWITCH F. HOTAIR/AFB. LUFTOVN (OKD) RoHS	
16	1	ENERGY.REG./SIMMERSTAT 320 GR	
15	1	OVEN THERMOSTAT/TERMOSTAT 320 GR	
14	1	TERMINAL STRIP/KLEMMEKØRRE RoHS 6 POLS, SNAP	
13	1	OVENLAMP SIDE/OVNLAMPE SIDE BJB 25W 230V	
12	1	OVENLAMP TOP/OVNLAMPE TOP 25W 230V	
11	4	CONTROLLAMP/SKALALAMPE 230V (SDF)	
10	1	CONTROLLAMP/SKALALAMPESET 230V (SDF)	
9	1	FAN HOTAIR/ØMOTOR MES. NG200R 230V RoHS	
8	1	THERMIFUSE/TERMOSIKRING 300 C	
7	1	TERMOSTAT 65/130 ENERGIL. A	
6	1	MICROSWITCH/NØRSWITCH 16A/250V, SKIFTE	
5	1	INSULATION COVER/TYLLE F. 6,3x0,8mm FASTON	
4	1	HEATINGELE./VARMELEG.ØVRE RoHS 1000W 230V	
3	1	HEATINGELE./GRILL/VARMELEG. RoHS 2300W 230V	
2	1	HEATINGELE./LØVER/VARMELEG. RoHS 1000W 230V	
1	1	HEATINGELEMENT RINGVARMELEG RoHS 1350W 230V	

MODEL	SCALE	-
DESIGN USERS	REPLACES	-
-	DERIVED FROM	-
-	SUPPLY SPECIFICATIONS	-
TITLE: FUTURA COOKER CERAMIC		
FUTURA KERAMISK KOMFUR		
NUMBER	325 90 21 15	REV F