

This drawing contains confidential information and is the property of AEG Hausgeräte GmbH Germany without whose permission it may not be copied, shown or handed to a third party or otherwise used, and it is to be returned promptly upon request to the AEG factory Kassel which is responsible for the drawing.

[2] Critical dimensions which must be under capability
SAFETY REQUIREMENT
 --- Visible surfaces.
 --- Draft angles (not shown):

THEORETICAL FLAT AREA
 DEVELOPED FLAT AREA
 GENERAL TOLERANCES
 ANGLES
 LENGTHS AND DIAMETERS

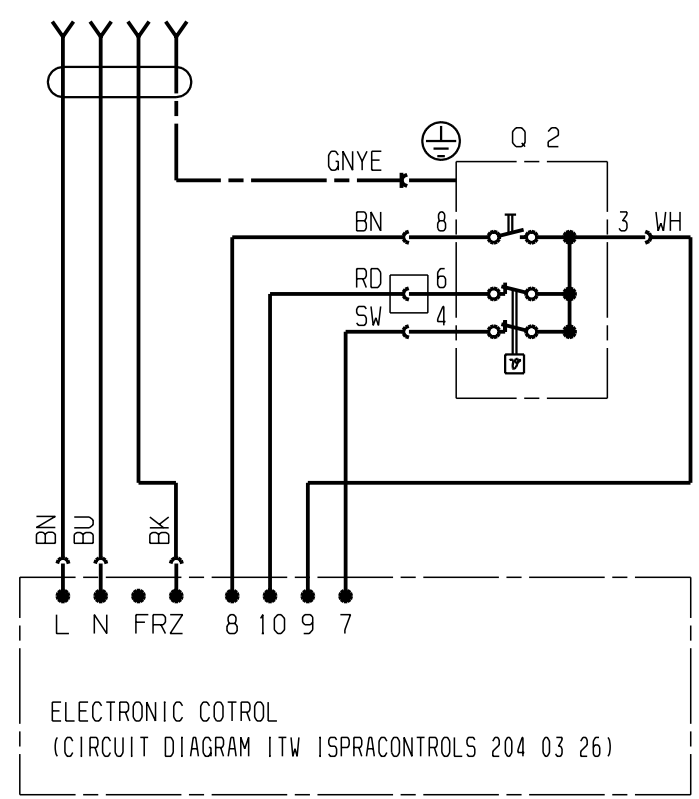
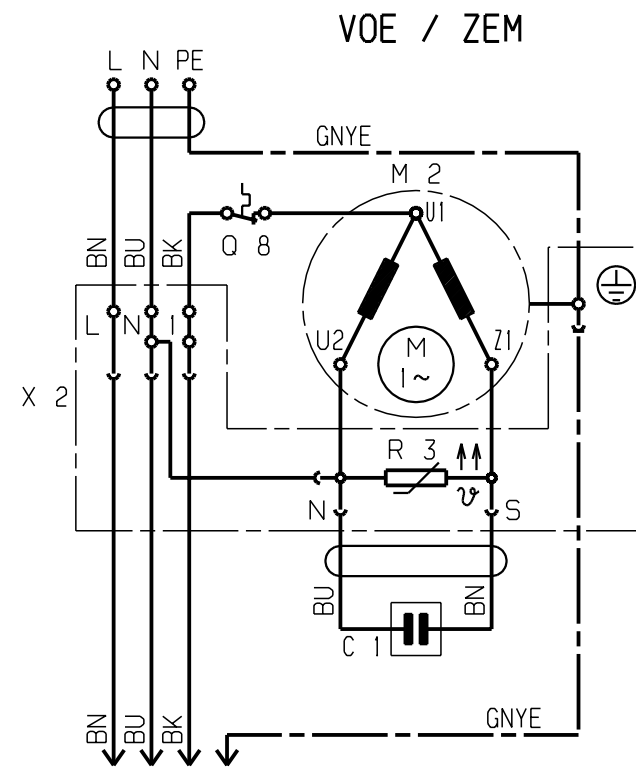
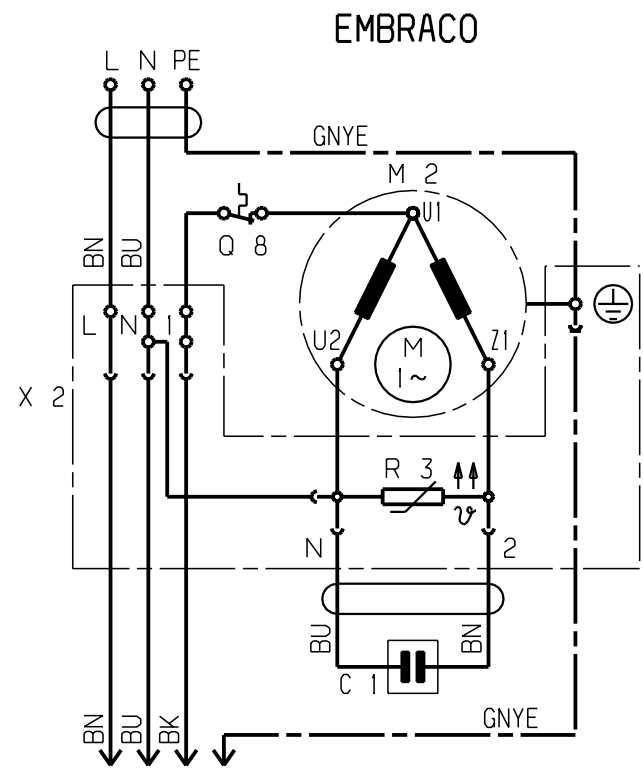


DIAGRAM SHOWS MAX. EQUIPMENT. VARIANTS POSSIBLE.
 DARSTELLUNG ZEIGT DIE MAXIMALBESTÜCKUNG.
 JE NACH GERÄTEAUSSTATTUNG SIND ABWEICHUNGEN HIERVON MÖGLICH.

204 032 101	Mechanik	DGK	-
VARIANT NUMBER	MODEL	DESIGN USERS	CHANGES FROM THE BASE NUMBER

- B1 = AIR TEMP. SENSOR
LUFTTEMPERATURFUEHLER
- B2 = EVAPOTATOR TEMP. SENSOR
VERDAMPFERTEMPERATURFUEHLER
- C1 = RUN CAPACITOR
BETRIEBSKONDENSATOR
- C2 = START CAPACITOR
ANLAUFKONDENSATOR
- C3 = INTERFERENCE SUPPRESSOR
FUNK-ENTSTOERFILTER
- E1 = LAMP
LAMPE
- F1 = TEMPERATURE PROTECTOR FOR HEATER TRAY
THERMOSTATSICHERUNG FLAECHEHEIZUNG
- F2 = TEMPERATURE PROTECTOR FOR EVAPORATOR HEATER
THERMOSTATSICHERUNG VERDAMPFERHEIZUNG
- H1 = LAMP - GREEN
LAMPE GRUEN
- H2 = LAMP - YELLOW
LAMPE GELB
- H3 = LAMP - RED
LAMPE ROT
- H4 = AUDIBLE ALARM
TONWARNER
- K1 = START RELAIS (FRIDGE)
ANLAUFRELAIS (KUEHLEN)
- K2 = START RELAIS (FREEZER)
ANLAUFRELAIS (GEFRIEREN)
- M1 = COMPRESSOR (FRIDGE)
MOTORVERDICHTER (KUEHLEN)
- M2 = COMPRESSOR (FREEZER)
MOTORVERDICHTER (GEFRIEREN)
- M3 = FAN MOTOR
LUEFTERMOTOR
- O1 = THERMOSTAT
THERMOSTAT
- O2 = THERMOSTAT WITH MAIN SWITCH AND
WARNING CONTACT FOR FREEZER
THERMOSTAT MIT NETZSCHALTER UND
WARNKONTAKT BEI GEFRIEREN
- O4 = THERMOSTAT WITH WARNING CONTACT
THERMOSTAT MIT WARNKONTAKT
- O7 = MOTOR PROTECTOR (FRIDGE)
MOTORSCHUTZSCHALTER (KUEHLEN)
- O8 = MOTOR PROTECTOR (FREEZER)
MOTORSCHUTZSCHALTER (GEFRIEREN)
- O9 = MAIN SWITCH
NETZSCHALTER
- O10 = FAST FREEZE SWITCH
SCHNELLGEFRIERSCHALTER
- O11 = WINDING PROTECTOR
WICKLUNGSSCHUTZ
- R1 = PTC RESISTOR (FRIDGE)
PTC-WIDERSTAND (KUEHLEN)
- R2 = DEFROST HEATER (EVAPORATOR)
ABTAUHEIZUNG
- R3 = PTC RESISTOR (FREEZER)
PTC-WIDERSTAND (GEFRIEREN)
- R5 = HEATER DEFROST TRAY
HEIZUNG TAUWASSERSCHALE
- S1 = DOOR SWITCH
TUERSCHALTER
- X1 = TERMINAL BOARD (FRIDGE)
KLEMMLEISTE (KUEHLEN)
- X2 = TERMINAL BOARD (FREEZER)
KLEMMLEISTE (GEFRIEREN)
- X3 = TERMINAL BOARD (MODULE)
KLEMMLEISTE (MUDUL)
- L = PHASE
PHASE
- N = NEUTRAL
NULLEITER
- PE = GROUND
SCHUTZLEITER
- BN = BROWN
BRAUN
- BU = BLUE
BLAU
- GNYE = GREEN YELLOW
GRUEN GELB
- BK = BLACK
SCHWARZ
- WH = WHITE
WEISS
- GY = GREY
GRAU
- RD = RED
ROT

A PRODUCTION ISSUE		ECN DGK.01.6806	KUHNERT	KONSTR.	01-04-26
POS	MODIFICATIONS			SIGNATURE	REQUEST
MATERIAL	MODEL Upright_Freezer		SCALE -		EUROPEAN METHOD
TREATMENT	WEIGHT -	DESIGN USERS	REPLACES No -		
DESIGN OWNER	DRN	CHD KUHNERT	DERIVED FROM No -		
DGK	KONSTRUKTION	APPR STELLER	DATE 01-04-26	SUPPLY SPECIFICATIONS No -	
TITLE WIRING_DIAGRAM_WF03			SCHALTPLAN_WF03		
NUMBER 204 03 21			REV - A		

