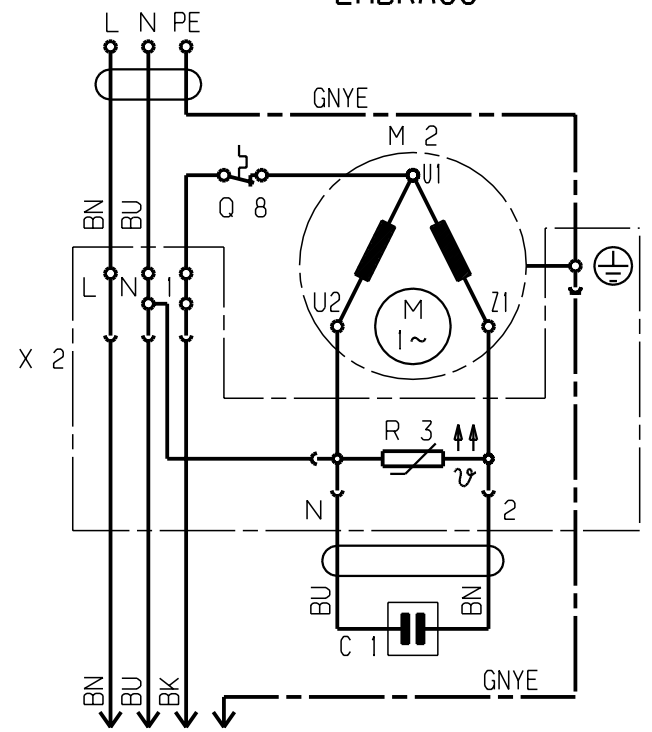


This drawing contains confidential information and is the property of AEG Hausgeräte GmbH Germany without whose permission it may not be copied, shown or handed to a third party or otherwise used, and it is to be returned promptly upon request to the AEG factory Kassel which is responsible for the drawing.

[2] Critical dimensions which must be under capability
SAFETY REQUIREMENT
 --- Visible surfaces.
 --- Draft angles (not shown):

THEORETICAL FLAT AREA
 DEVELOPED FLAT AREA
 GENERAL TOLERANCES
 ANGLES
 LENGTHS AND DIAMETERS

EMBRACO



VOE / ZEM

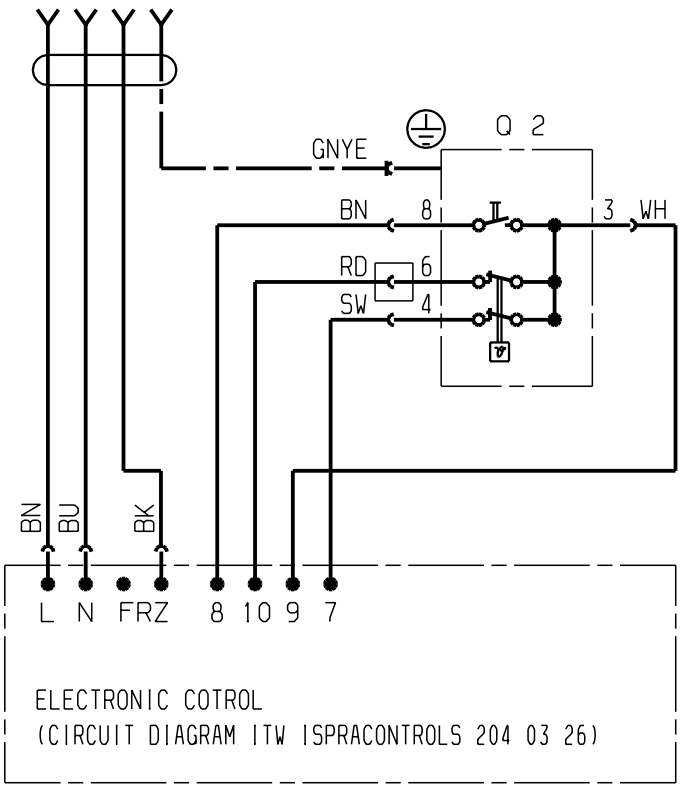
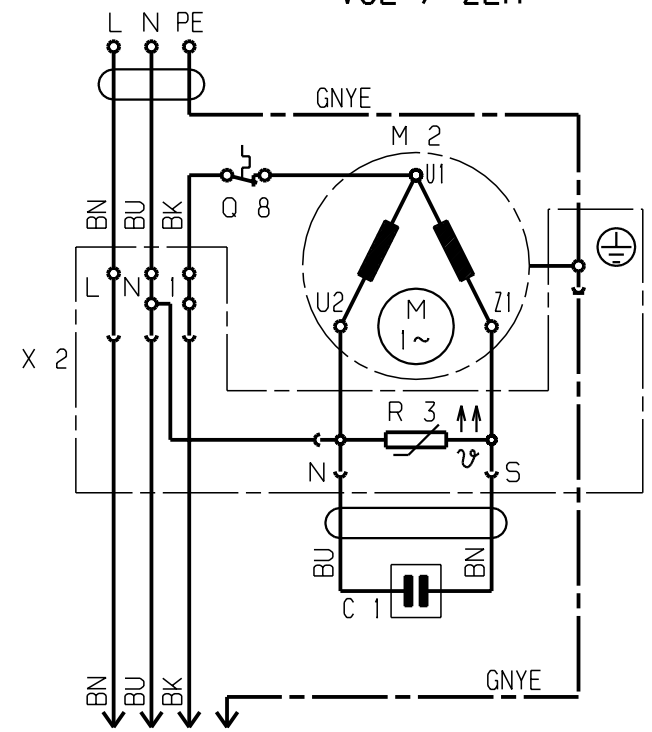


DIAGRAM SHOWS MAX. EQUIPMENT. VARIANTS POSSIBLE.
 DARSTELLUNG ZEIGT DIE MAXIMALBESTÜCKUNG.
 JE NACH GERÄTEAUSSTATTUNG SIND ABWEICHUNGEN HIERVON MÖGLICH.

204 032 101	Mechanik	DGK	-
VARIANT NUMBER	MODEL	DESIGN USERS	CHANGES FROM THE BASE NUMBER

- B1 = AIR TEMP. SENSOR
LUFTTEMPERATURFUEHLER
- B2 = EVAPOTATOR TEMP. SENSOR
VERDAMPFERTEMPERATURFUEHLER
- C1 = RUN CAPACITOR
BETRIEBSKONDENSATOR
- C2 = START CAPACITOR
ANLAUFKONDENSATOR
- C3 = INTERFERENCE SUPPRESSOR
FUNK-ENTSTOERFILTER
- E1 = LAMP
LAMPE
- F1 = TEMPERATURE PROTECTOR FOR HEATER TRAY
THERMOSTATSICHERUNG FLAECHEHEIZUNG
- F2 = TEMPERATURE PROTECTOR FOR EVAPORATOR HEATER
THERMOSTATSICHERUNG VERDAMPFERHEIZUNG
- H1 = LAMP - GREEN
LAMPE GRUEN
- H2 = LAMP - YELLOW
LAMPE GELB
- H3 = LAMP - RED
LAMPE ROT
- H4 = AUDIBLE ALARM
TONWARNER
- K1 = START RELAIS (FRIDGE)
ANLAUFRELAIS (KUEHLEN)
- K2 = START RELAIS (FREEZER)
ANLAUFRELAIS (GEFRIEREN)
- M1 = COMPRESSOR (FRIDGE)
MOTORVERDICHTER (KUEHLEN)
- M2 = COMPRESSOR (FREEZER)
MOTORVERDICHTER (GEFRIEREN)
- M3 = FAN MOTOR
LUEFTERMOTOR
- O1 = THERMOSTAT
THERMOSTAT
- O2 = THERMOSTAT WITH MAIN SWITCH AND
WARNING CONTACT FOR FREEZER
THERMOSTAT MIT NETZSCHALTER UND
WARNKONTAKT BEI GEFRIEREN
- O4 = THERMOSTAT WITH WARNING CONTACT
THERMOSTAT MIT WARNKONTAKT
- O7 = MOTOR PROTECTOR (FRIDGE)
MOTORSCHUTZSCHALTER (KUEHLEN)
- O8 = MOTOR PROTECTOR (FREEZER)
MOTORSCHUTZSCHALTER (GEFRIEREN)
- O9 = MAIN SWITCH
NETZSCHALTER
- O10 = FAST FREEZE SWITCH
SCHNELLGEFRIERSCHALTER
- O11 = WINDING PROTECTOR
WICKLUNGSSCHUTZ
- R1 = PTC RESISTOR (FRIDGE)
PTC-WIDERSTAND (KUEHLEN)
- R2 = DEFROST HEATER (EVAPORATOR)
ABTAUHEIZUNG
- R3 = PTC RESISTOR (FREEZER)
PTC-WIDERSTAND (GEFRIEREN)
- R5 = HEATER DEFROST TRAY
HEIZUNG TAUWASSERSCHALE
- S1 = DOOR SWITCH
TUERSCHALTER
- X1 = TERMINAL BOARD (FRIDGE)
KLEMMLEISTE (KUEHLEN)
- X2 = TERMINAL BOARD (FREEZER)
KLEMMLEISTE (GEFRIEREN)
- X3 = TERMINAL BOARD (MODULE)
KLEMMLEISTE (MUDUL)
- L = PHASE
PHASE
- N = NEUTRAL
NULLEITER
- PE = GROUND
SCHUTZLEITER
- BN = BROWN
BRAUN
- BU = BLUE
BLAU
- GYNE = GREEN YELLOW
GRUEN GELB
- BK = BLACK
SCHWARZ
- WH = WHITE
WEISS
- GY = GREY
GRAU
- RD = RED
ROT

-	-	-	-	-
A	PRODUCTION ISSUE	ECN DGK.01.6806	KUHNERT	KONSTR.
POS	MODIFICATIONS		SIGNATURE	REQUEST
MATERIAL	MODEL Upright_Freezer	SCALE	EUROPEAN METHOD	
TREATMENT	DESIGN USERS DGK	REPLACES No	DERIVED FROM No	
DESIGN OWNER	DRN DGK	CHD KUHNERT	DATE 01-04-26	SUPPLY SPECIFICATIONS No
TITLE WIRING_DIAGRAM_WF03		SCHALTPLAN_WF03		
NUMBER 204 03 21		REV A		

