

This drawing contains confidential information and is the property of AEG Hausgeräte GmbH Germany without whose permission it may not be copied, shown or handed to a third party or otherwise used, and it is to be returned promptly upon request to the AEG factory Kassel which is responsible for the drawing.

[2] Critical dimensions which must be under capability

SAFETY REQUIREMENT

Visible surfaces.
Draft angles (not shown):

THEORETICAL FLAT AREA

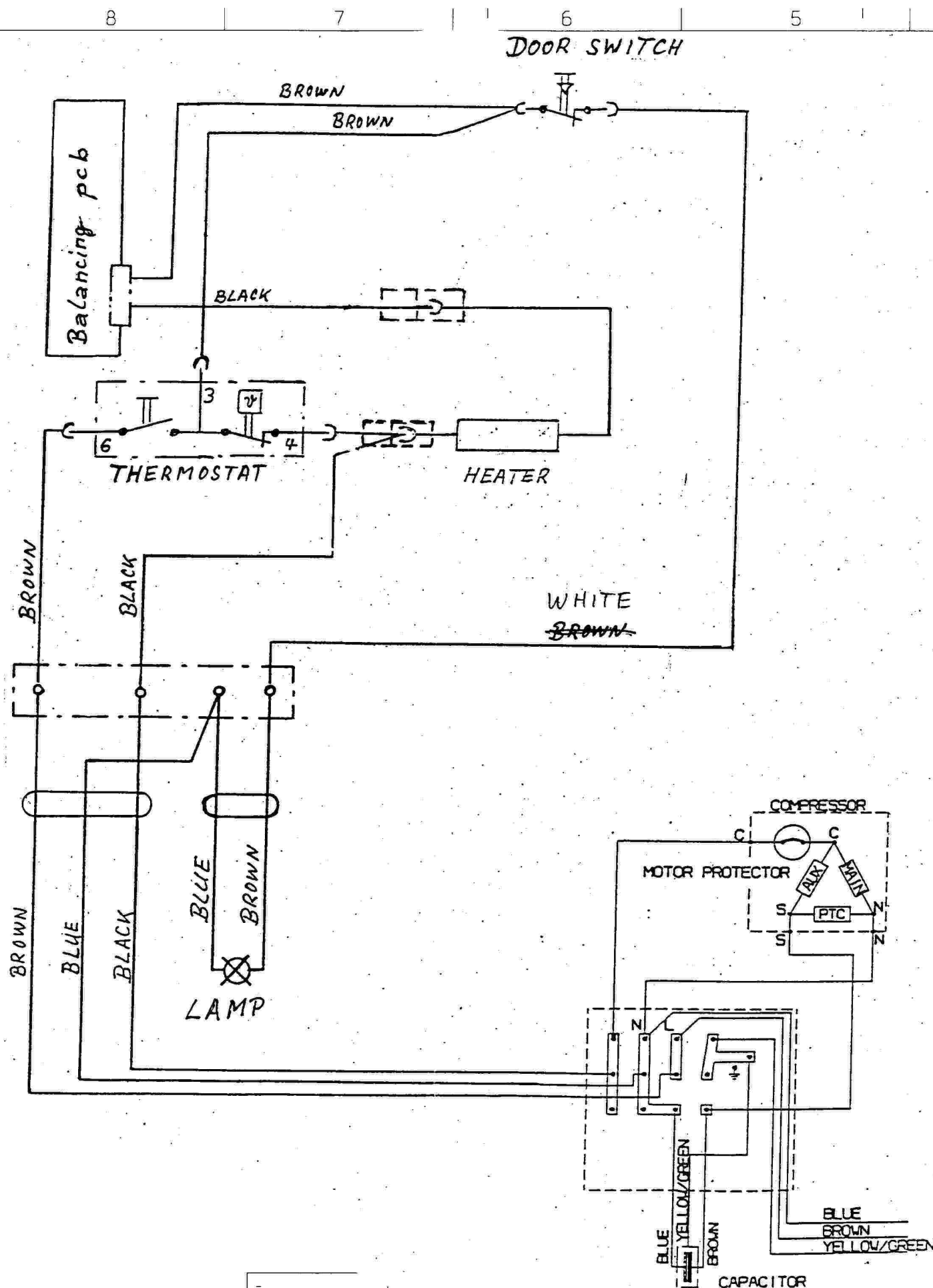
DEVELOPED FLAT AREA

GENERAL TOLERANCES

ANGLES

LENGTHS AND DIAMETERS

CATIA-A3



204 029 401	1030/220_4 medium	DGK	CHANGES FROM THE BASE NUMBER
VARIANT NUMBER	MODEL	DESIGN USERS	

POS	MODIFICATIONS	SIGNATURE	REQUEST	DATE
MATERIAL	MODEL DOD_RANGE	SCALE		EUROPEAN METHOD
TREATMENT	WEIGHT	DESIGN USERS	REPLACES No	A
DESIGN OWNER DRN	CHD KUHNERT	DGK	DERIVED FROM No	
DGK	KONSTRUKTION	APPR STELLER	SUPPLY SPECIFICATIONS No	
	DATE 00-03-22		TITLE WIRING_DIAGRAM_WR06	
			SCHALTPLAN_WR06	
			NUMBER 204 02 94	REV

Electrolux