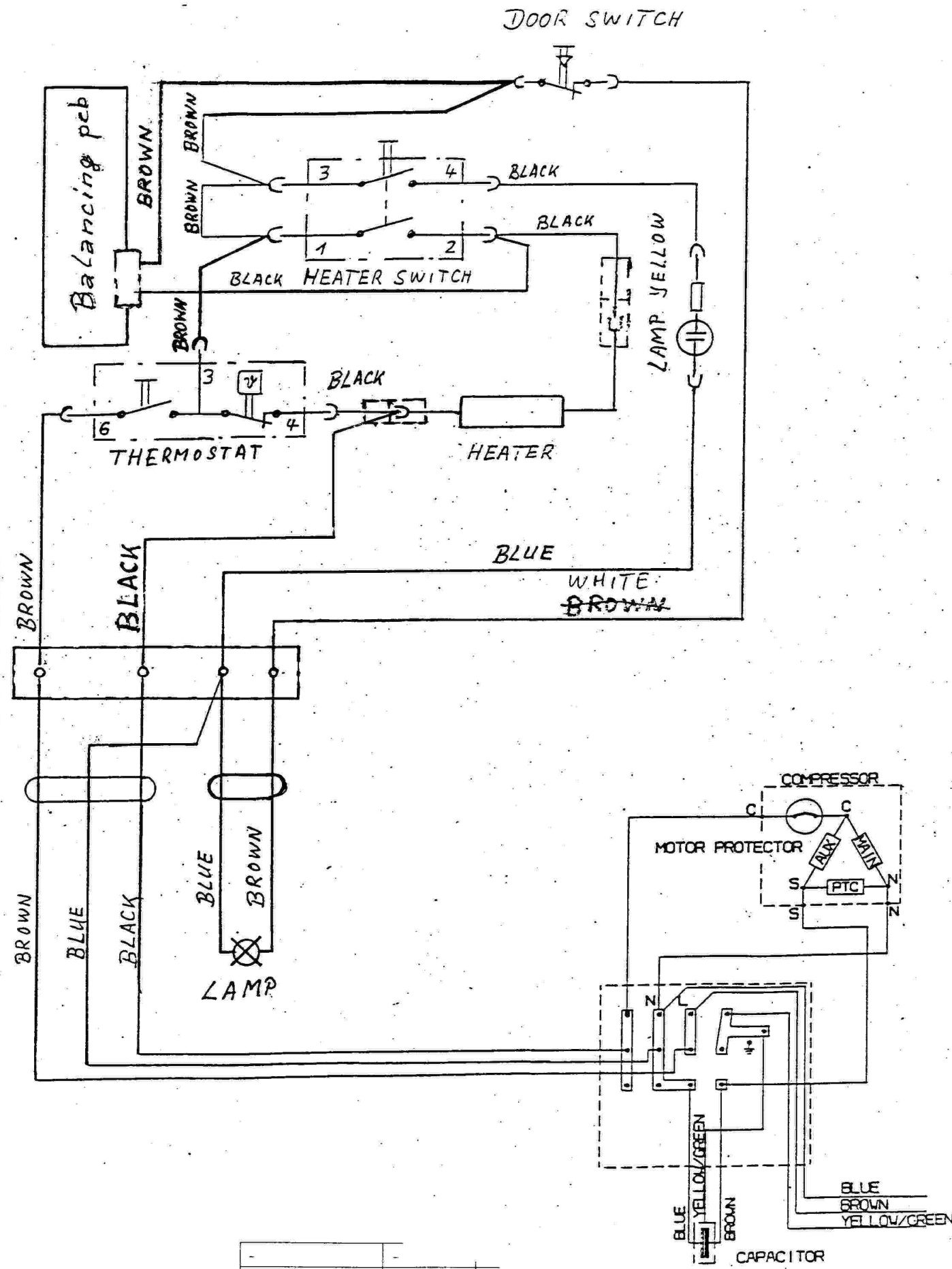


This drawing contains confidential information and is the property of AEG Hausgeräte GmbH Germany without whose permission it may not be copied, shown or handed to a third party or otherwise used, and it is to be returned promptly upon request to the AEG factory Kassel which is responsible for the drawing.

[2] Critical dimensions which must be under capability SAFETY REQUIREMENT
 --- Visible surfaces.
 Draft angles (not shown):

GENERAL TOLERANCES ANGLES LENGTHS AND DIAMETERS THEORETICAL FLAT AREA DEVELOPED FLAT AREA



204 029 301	B80_4* medium	DGK	-
VARIANT NUMBER	MODEL	DESIGN USERS	CHANGES FROM THE BASE NUMBER

POS	MODIFICATIONS	SIGNATURE	REQUEST	DATE
MATERIAL	MODEL DOD_RANGE	SCALE	EUROPEAN METHOD	
TREATMENT	WEIGHT	DESIGN USERS	REPLACES No	
DESIGN OWNER	DRN	DGK	DERIVED FROM No	
DGK	KONSTRUKTION	CHO KUHNERT	SUPPLY SPECIFICATIONS No	A
	APPR STELLER	DATE 00-03-22	TITLE WIRING DIAGRAM_WR05	
			SCHALTPLAN_WR05	
			NUMBER 204 02 93	REV -