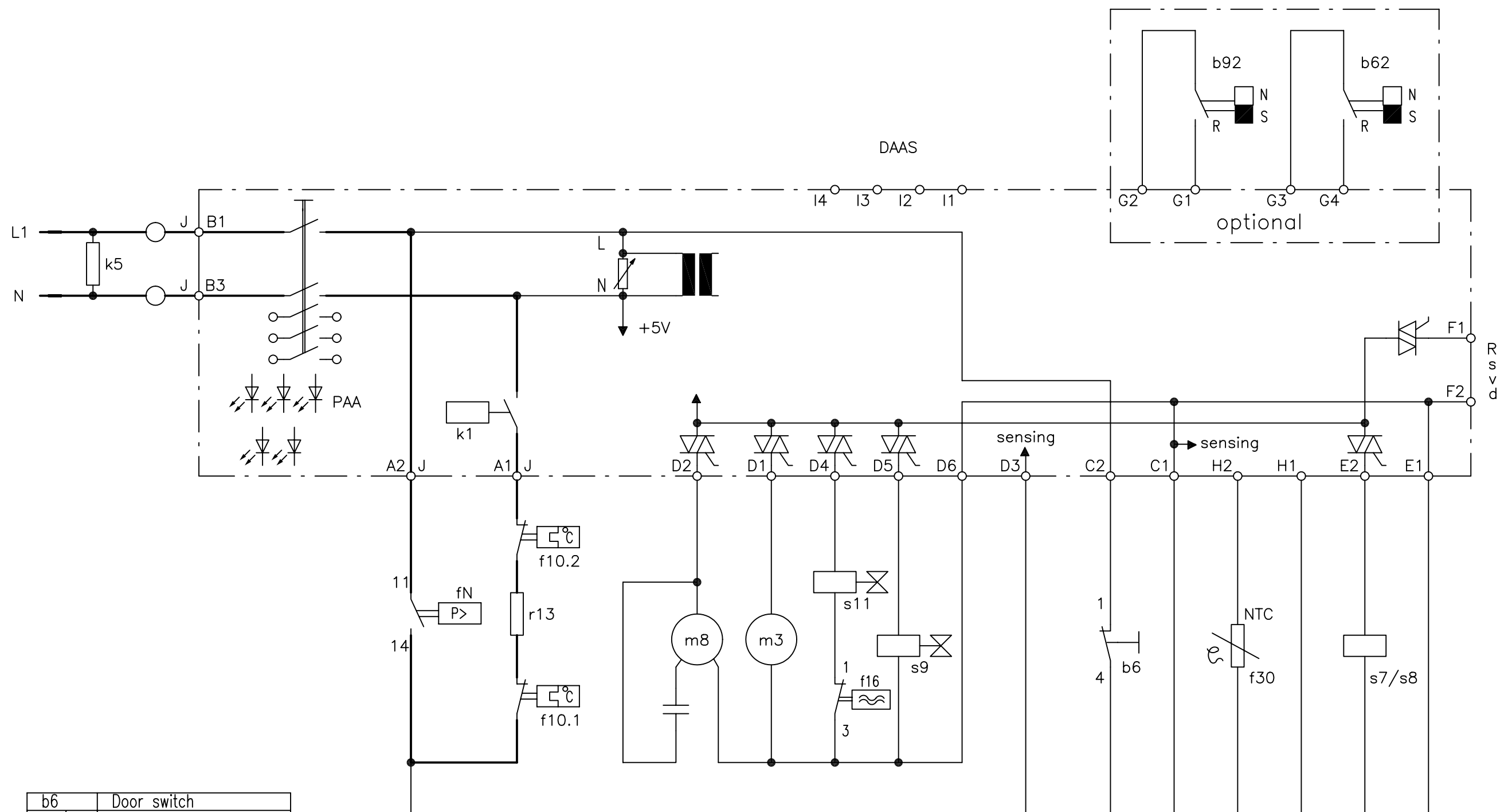


This drawing contains confidential information and is the property of AEG Hausgerate GmbH without whose permission it may not be copied, shown or handed to a third party or otherwise used, and it is to be returned promptly upon request to the AEG Hausgerate GmbH which is responsible for the drawing.

Critical dimensions which must be under capability
SAFETY REQUIREMENT
 Visible surfaces.
 Draft angles (not shown):

THEORETICAL FLAT AREA
 DEVELOPED FLAT AREA
 GENERAL TOLERANCES
 ANGLES
 LENGTHS AND DIAMETERS



b6	Door switch
s7/s8	Detergant dispencer
f10	Safy thermostat
k1	Heating relay
f16	Aqua control
f30	NTC
fN	Pressure Switch
h11	Internal lighting
k5	Interference filter
m3	Drain pump
m8	Circulation pump
r13	Internal heater
s9	Regeneration valve
s11	Cold valve
X	Connector
b92	Salt aid
b62	Rinse aid

E	004	2004 4899	Göring	PED2/E	16.12.04	
D	003	2004 3352	Göring	PED2/E	15.03.04	
C	002	2004 0134	Göring	PED2/E	20.01.04	
B	001	2004 0045	Göring	PED2/E	20.01.04	
POS	ZUST	MODIFICATIONS		SIGNATURE	REQUEST	DATE
MATERIAL			MODEL		SCALE	
---			---		---	
TREATMENT			WEIGHT		DESIGN USERS	
---			---		---	
DESIGN OWNER		DRN	CHD Göring	DATE	REPLACES No	
DGN-GA		PED2/E	APPR Bührle	08.05.03	DERIVED FROM No	
TITLE				SUPPLY SPECIFICATIONS No		
Stromlaufplan				---		
Circuit Diagramm				---		
NUMBER		SHEET		REV		
111 18 02		1/1		E		

111 18 02-00	EDW	Basis STR EDW500			
VARIANT NUMBER	MODEL	DESIGN USERS	CHANGES FROM THE BASE NUMBER		

