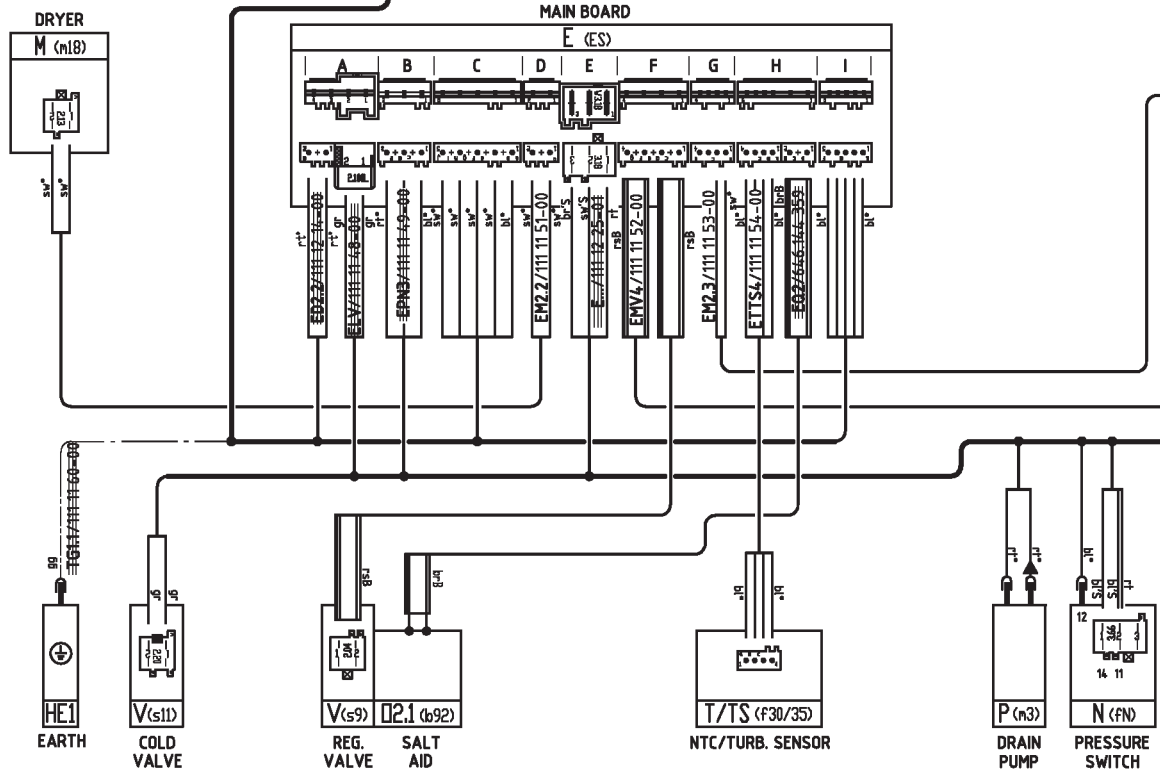
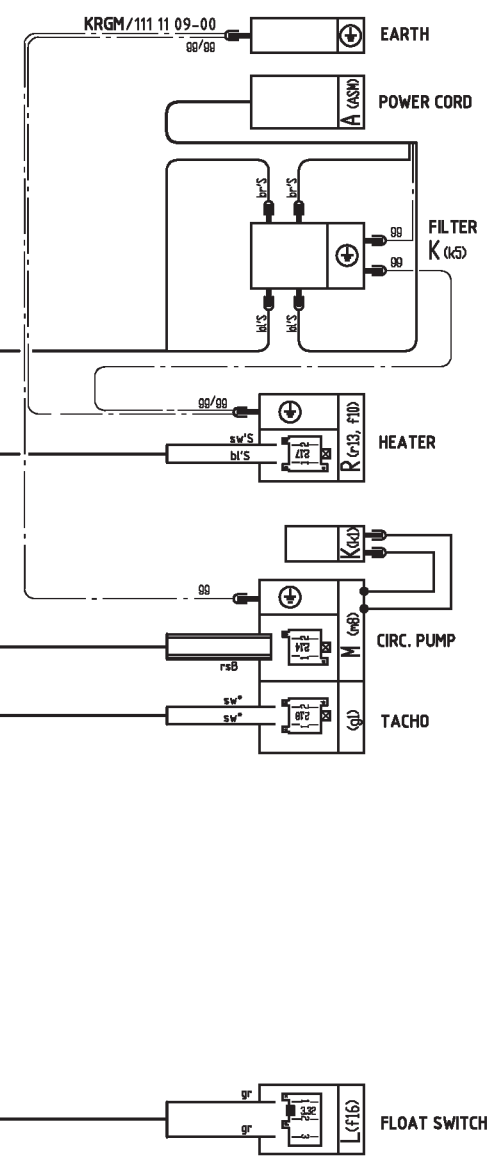


<b>Wire harness (door)</b>	111 11 70-01
<b>Wire harness (base)</b>	111 11 12-01
<b>Connections (door)</b>	111 11 24-00; E02.2
<b>Connections (base)</b>	111 11 09-00; KRGM 111 11 51-00; EM2.2 111 11 52-00; EMV4 111 11 53-00; EM2.3 111 11 54-00; ETT5.4



VDR 111 120 100