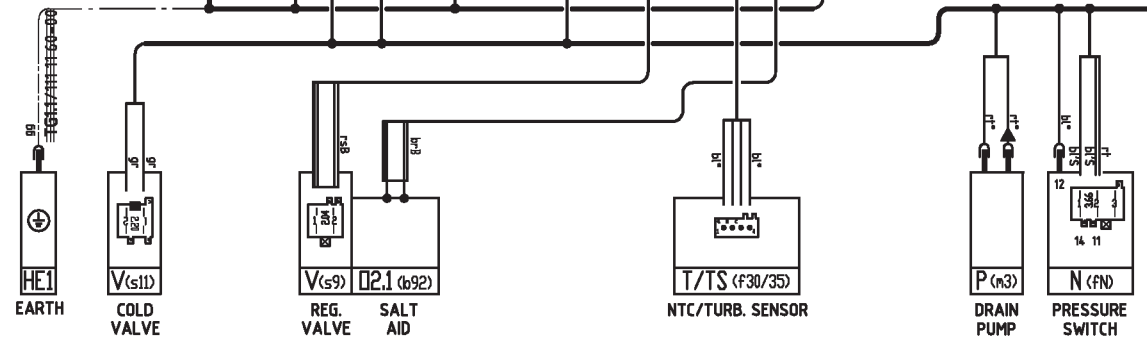
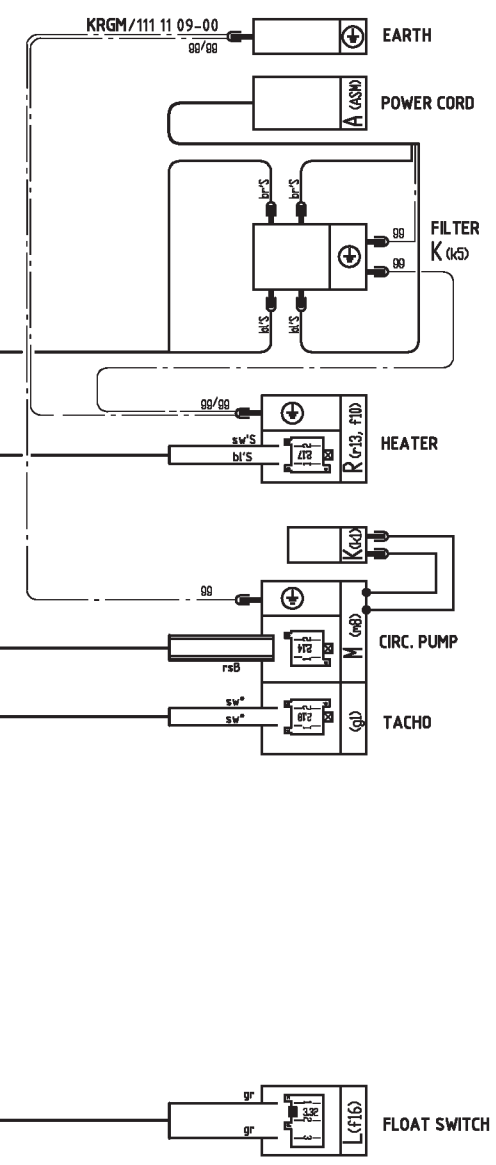
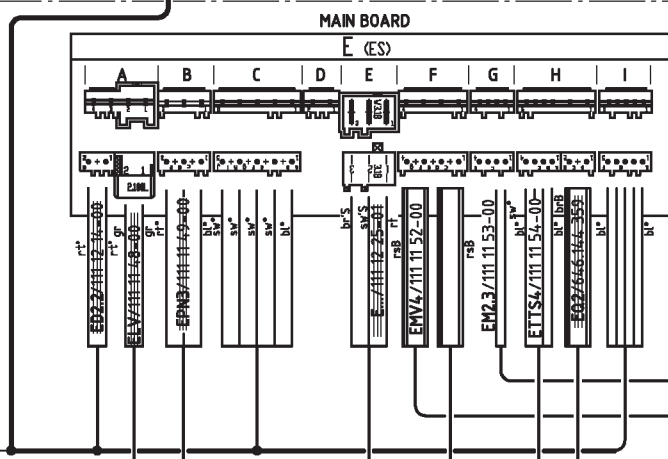


<b>Wire harness (door)</b>	
111 11 70-01	
<b>Wire harness (base)</b>	
111 11 12-01	
<b>Connections (door)</b>	
111 11 24-00; E02.2	
<b>Connections (base)</b>	
111 11 09-00; KRGM	
111 11 52-00; EMV4	
111 11 53-00; EM2.3	
111 11 54-00; ETTS4	



VDR 111 119 900