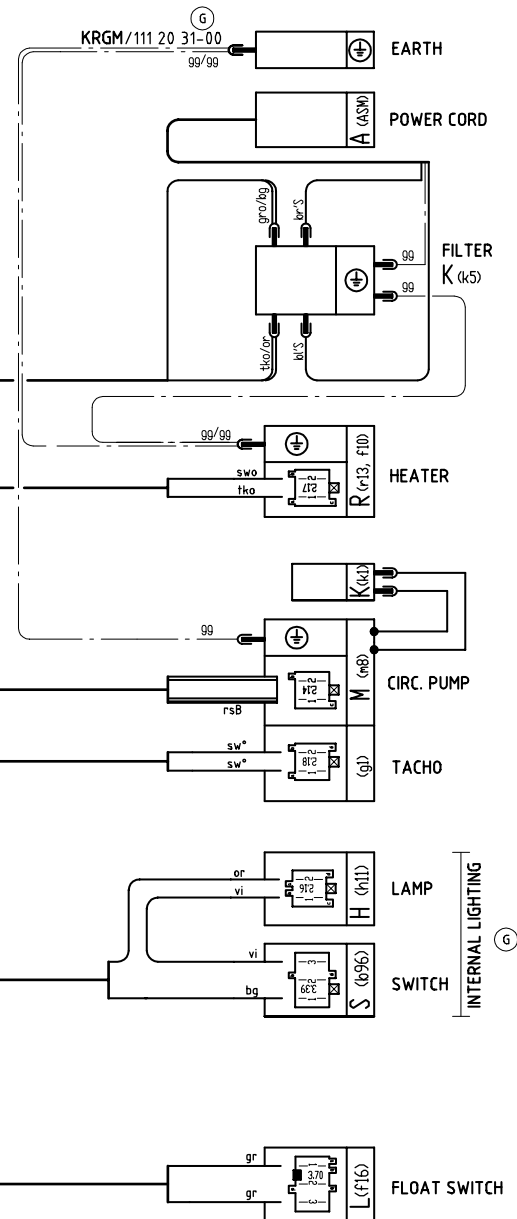


Wire harness (door)	
111 11 70-01	
Wire harness (base)	
111 11 47-20	
Connections (door)	
111 11 24-00; E02.2	
Connections (base)	
111 20 31-00; KRGM	
111 11 51-00; EM2.2	
111 11 52-00; EMV.4	
111 11 53-00; EM2.3	
111 11 54-00; ETTS.4	



VDR 111 115 510