

391 82 12-01

391 83 01-01

391 82 14-01

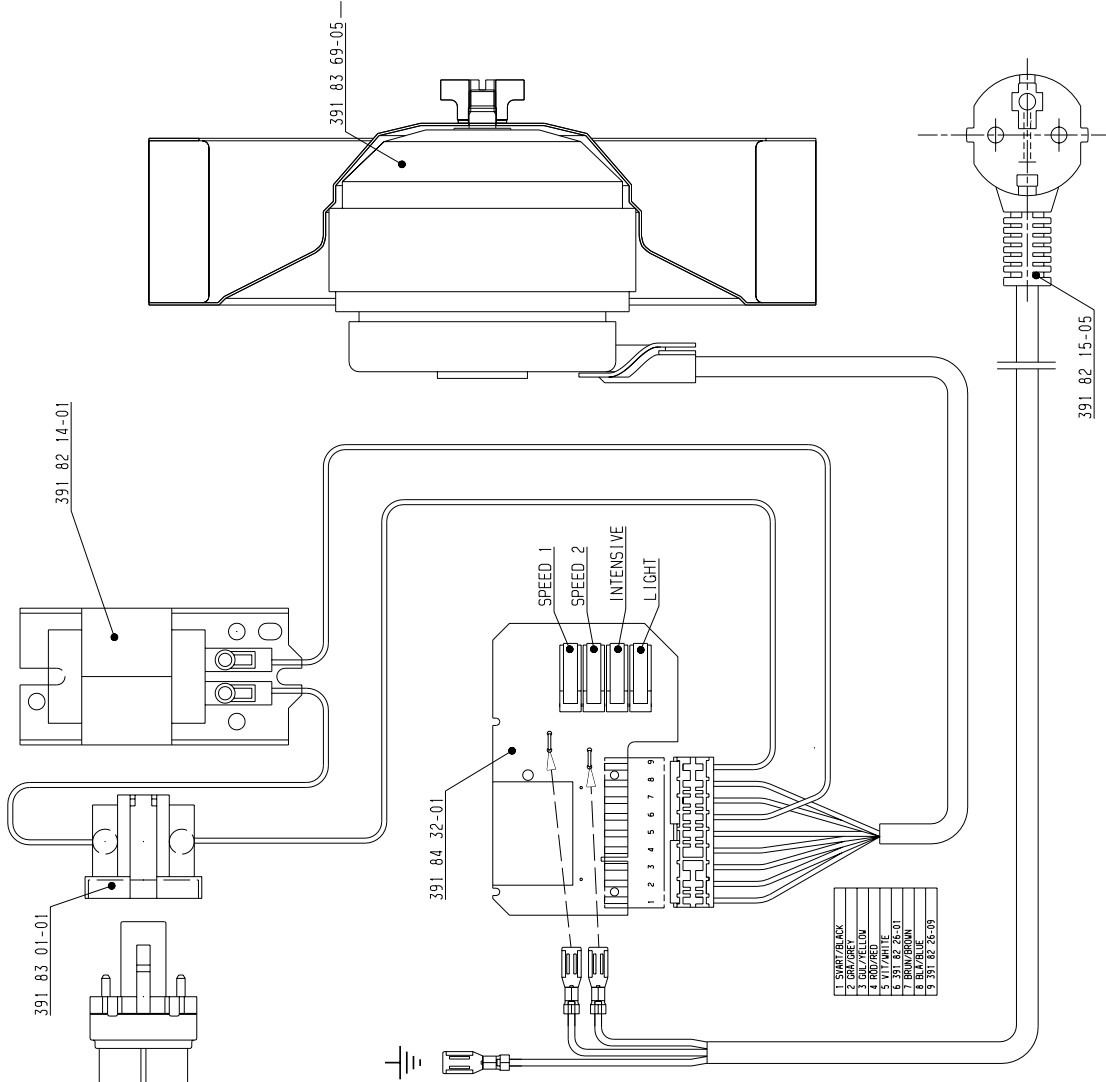
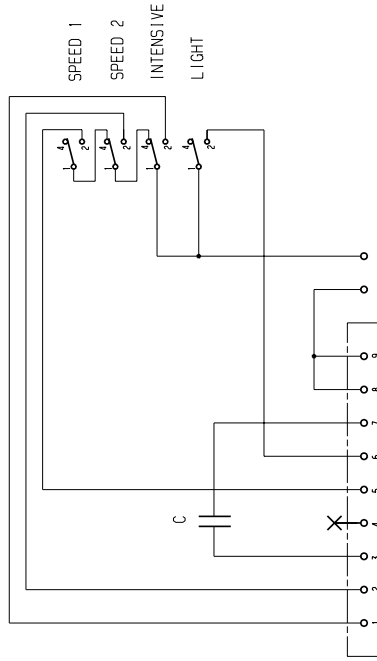
391 83 69-05

391 82 15-05

391 84 32-01

1	SVART/BLACK
2	GÅR/RED
3	GRÖN/GREEN
4	RÖD/RED
5	VIT/WHITE
6	BÅG/BROWN
7	BÅG/BROWN
8	BÅG/BROWN
9	SVART/BLACK

① BRYTARLÄGEN DA FLÅKTEN ÄR HELT AVSTÅNGD,
DVS SKÄRRAMEN INSKJUTEN ELLER BORTTAGEN.
THE SWITCHES POSITION WHEN ALL FUNCTIONS ARE OFF.
THE PULL OUT IS IN ITS INNER POSITION OR
THE PULL OUT IS RELEASED FROM THE HOOD.



MATERIAL	MODEL	2D	SCALE	REPLACES	DESIGN USERS	WEIGHT	REV. EPT. NO.
TREATMENT	MO	MO	NO	NO	NO	NO	NO
DESIGN OWNER	MO	KRH	APP	DATE	000824		
TITLE							WIRING DIAGRAM
EPO-S							KOPPLINGSSCHEMA
NUMBER							391 84 53 - 01

Electrolux