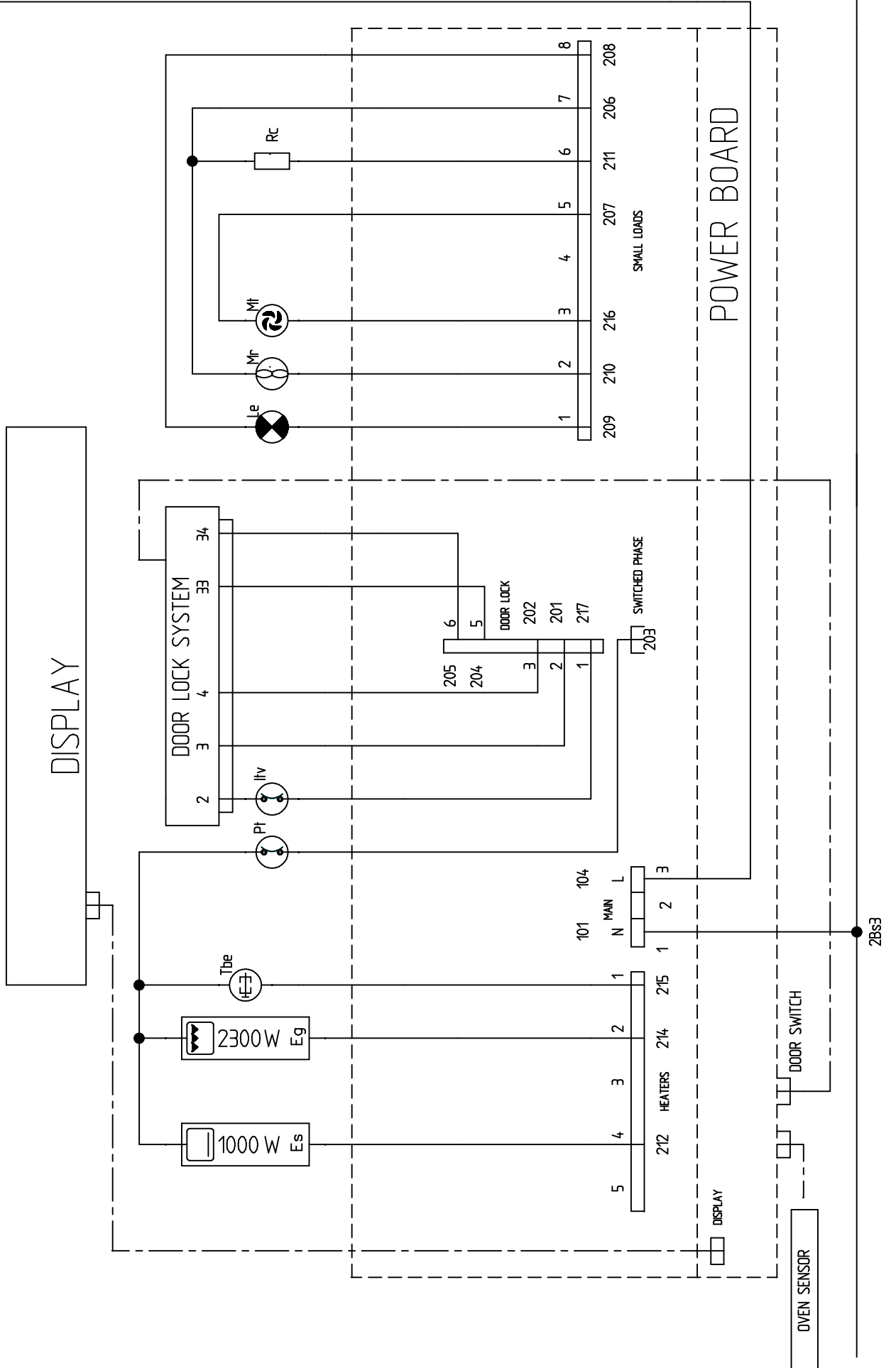


SCHEMA DE PRINCIPE

1BS3



2BS3